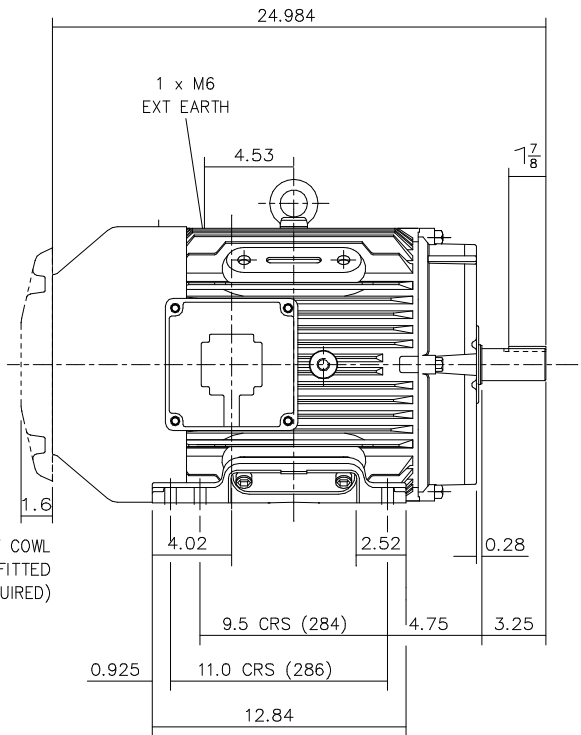
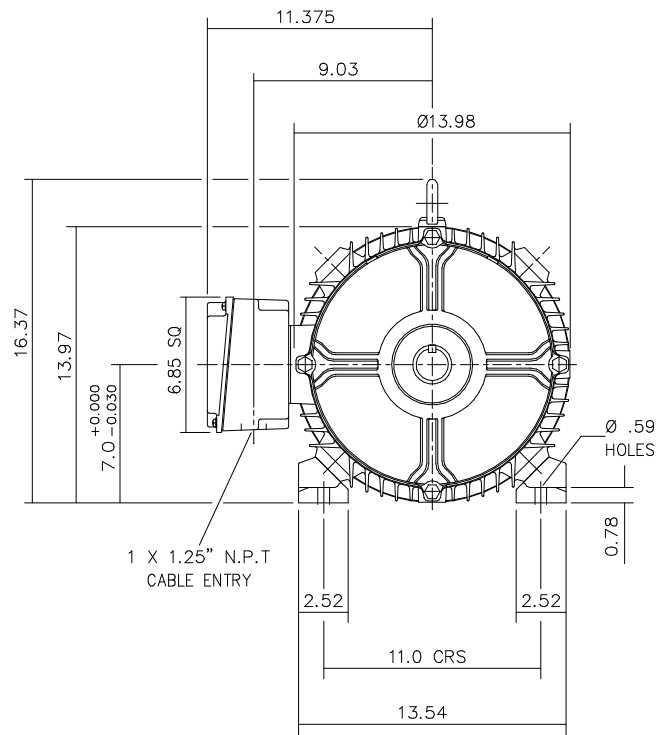
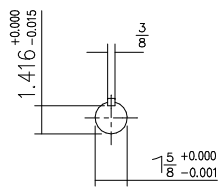


DRG. No. Y35GF001/1
 DRG. REF.

| | | |
|-----------------|-------|------|
| CUSTOMER | | |
| ORDER No. | | |
| SERIAL No. | | |
| FRAME SIZE | | |
| KW. | RPM. | |
| Hz | PHASE | |
| VOLTS | POLES | |
| BRGS. | DE. | NDE. |
| MOTOR NETT WT. | | Kg. |
| SPECIAL REMARKS | | |



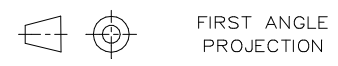
DRIP PROOF COWL
 (ONLY FITTED
 WHEN REQUIRED)



VIEW ON DRIVE END
 EXTENSION

DRAIN HOLES: - WHEN TERMINAL BOX IS MOVED FROM STANDARD POSITION
 THEY WILL NEED TO BE PLUGGED AND RE-LOCATED ELSEWHERE - IF REQUIRED
 TERMINAL BOX POSITION: - CAN BE ARRANGED AT EITHER 9, 12 OR 3 O'CLOCK BY MOV
 CONDUIT ENTRIES: - TERMINAL BOX CAN BE ROTATED AT 90° INTERVALS
 (CONDUIT ENTRY POSITION SHOWN FOR ILLUSTRATION ONLY)

ALL DIMENSIONS IN INCHES.



**BROOK
 CROMPTON**

Huddersfield, HD1 3LJ
 ENGLAND

| | | | | | |
|---------------------|---|-----------|--------------|---------------------|----------|
| SHEET SIZE A3 | TITLE OUTLINE DIMENSION DRAWING W CAST IRON TOTALLY ENCLOSED FAN COOLED 284/6TS FRAME FOOT MOUNTED MOTOR - 2 POLE | NAME | DATE | DRG. No. Y35GF001/1 | |
| | | DRAWN | VLS 11-01-01 | | |
| | | CHECKED | RR 11-01-01 | | |
| | | SCALE | 1 : 6 | | |
| | | REVISION: | VLS | DATE | 16-07-02 |