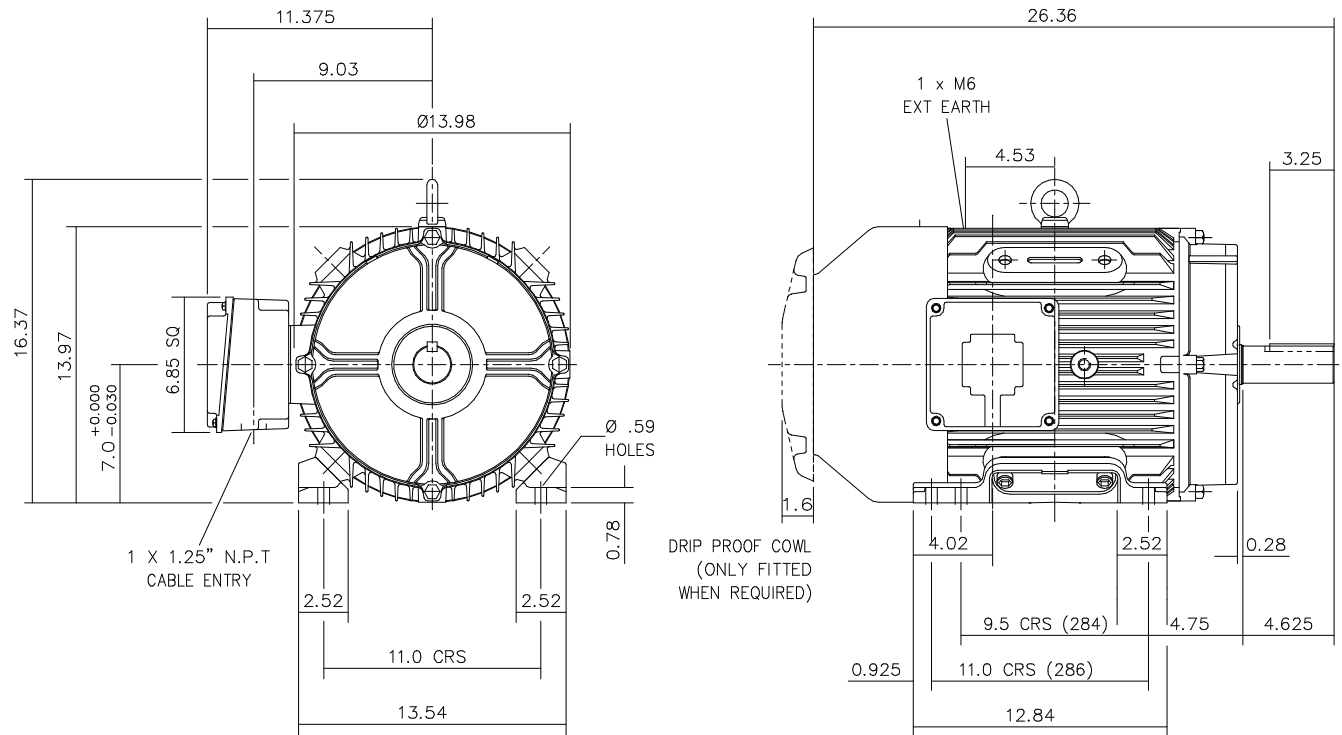


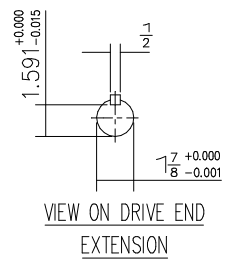
DRG. No. Y35GF002/2

DRG. REF.

CUSTOMER		
ORDER No.		
SERIAL No.		
FRAME SIZE		
KW.	RPM.	
Hz	PHASE	
VOLTS	POLES	
BRGS.	DE.	NDE.
MOTOR NETT WT.		Kg.
SPECIAL REMARKS		



ALL DIMENSIONS IN INCHES.		
	FIRST ANGLE PROJECTION	
BROOK CROMPTON		
Huddersfield, HD1 3LJ ENGLAND		



DRAIN HOLES: - WHEN TERMINAL BOX IS MOVED FROM STANDARD POSITION THEY WILL NEED TO BE PLUGGED AND RE-LOCATED ELSEWHERE - IF REQUIRED
 TERMINAL BOX POSITION : - CAN BE ARRANGED AT EITHER 9, 12 OR 3 O'CLOCK.
 CONDUIT ENTRIES: - TERMINAL BOX CAN BE ROTATED AT 90° INTERVALS (CONDUIT ENTRY POSITION SHOWN FOR ILLUSTRATION ONLY)

SHEET SIZE A3	TITLE OUTLINE DIMENSION DRAWING W CAST IRON TOTALLY ENCLOSED FAN COOLED 284/6T FRAME FOOT MOUNTED MOTOR	NAME	DATE	DRG. No. Y35GF002/2	
		DRAWN	VLS		11-01-01
		CHECKED	RR		11-01-01
		SCALE	1 : 6		
REVISION:			VLS	DATE 16-07-02	