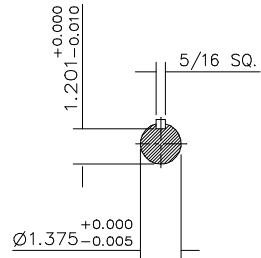
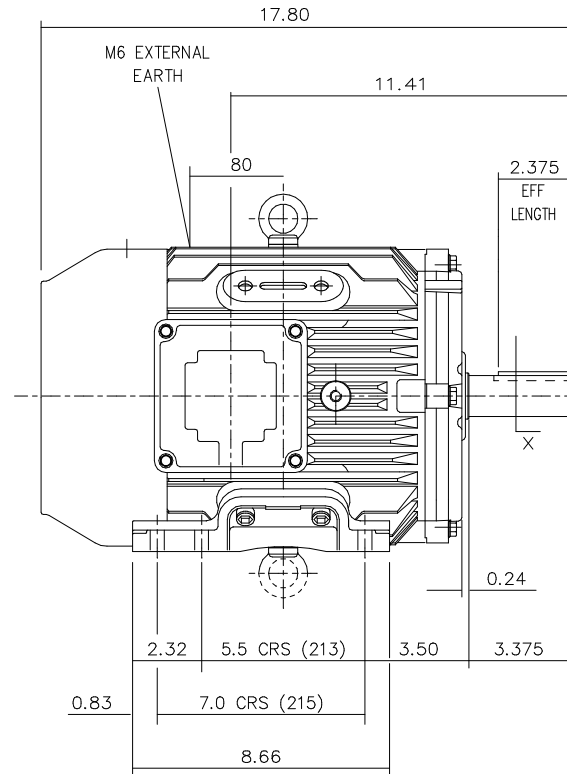
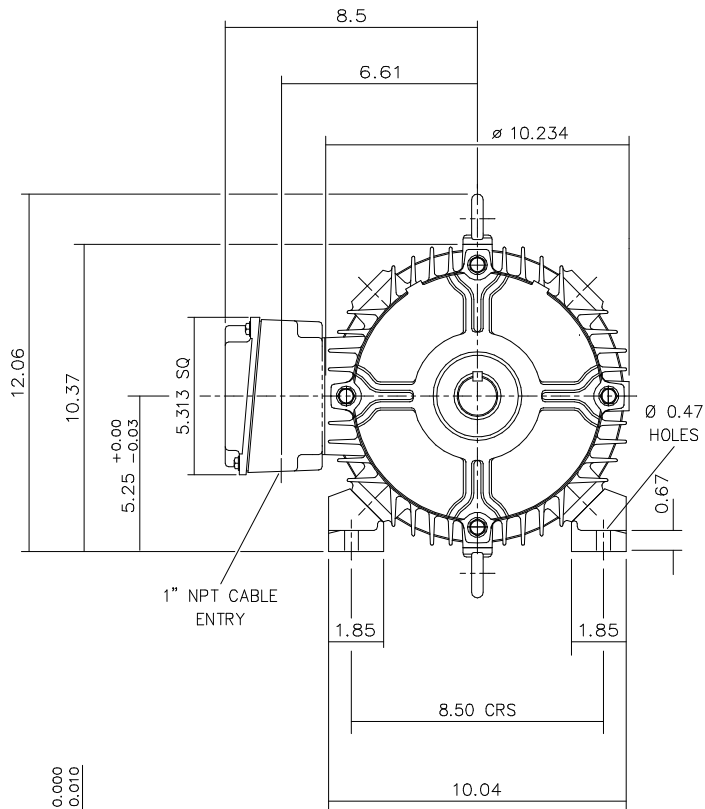


DRG. No. Y33GF001/1
 DRG. REF.

CUSTOMER		
ORDER No.		
SERIAL No.		
FRAME SIZE		
KW.	RPM.	
Hz	PHASE	
VOLTS	POLES	
BRGS.	DE.	NDE.
MOTOR NETT WT.		Kg.
SPECIAL REMARKS		



SECTION THROUGH 'X'

TERMINAL BOX POSITION : - CAN BE ARRANGED AT EITHER 9, 12 OR 3 O'CLOCK.
 STANDARD TERMINAL BOX POSITION IS 9 O'CLOCK AS SHOWN.
 CONDUIT ENTRIES:- TERMINAL BOX CAN BE ROTATED AT 90° INTERVALS
 (CONDUIT ENTRY POSITION SHOWN FOR ILLUSTRATION ONLY).

ALL DIMENSIONS IN INCHES



FIRST ANGLE
 PROJECTION

**BROOK
 CROMPTON**

Huddersfield, HD1 3LJ
 ENGLAND

SHEET TITLE
 SIZE A3 OUTLINE DIMENSION DRAWING W CAST IRON TOTALLY ENCLOSED FAN COOLED
 213/215T FRAME FOOT MOUNTED MOTOR

	NAME	DATE
DRAWN	VLS	29-11-00
CHECKED	MI	29-11-00
SCALE	1 : 4	

DRG. No.	Y33GF001/1		
DRG. REF.			
REVISION:	VLS	DATE	18-07-02