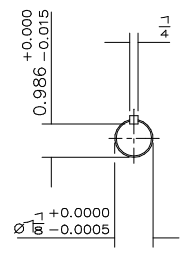
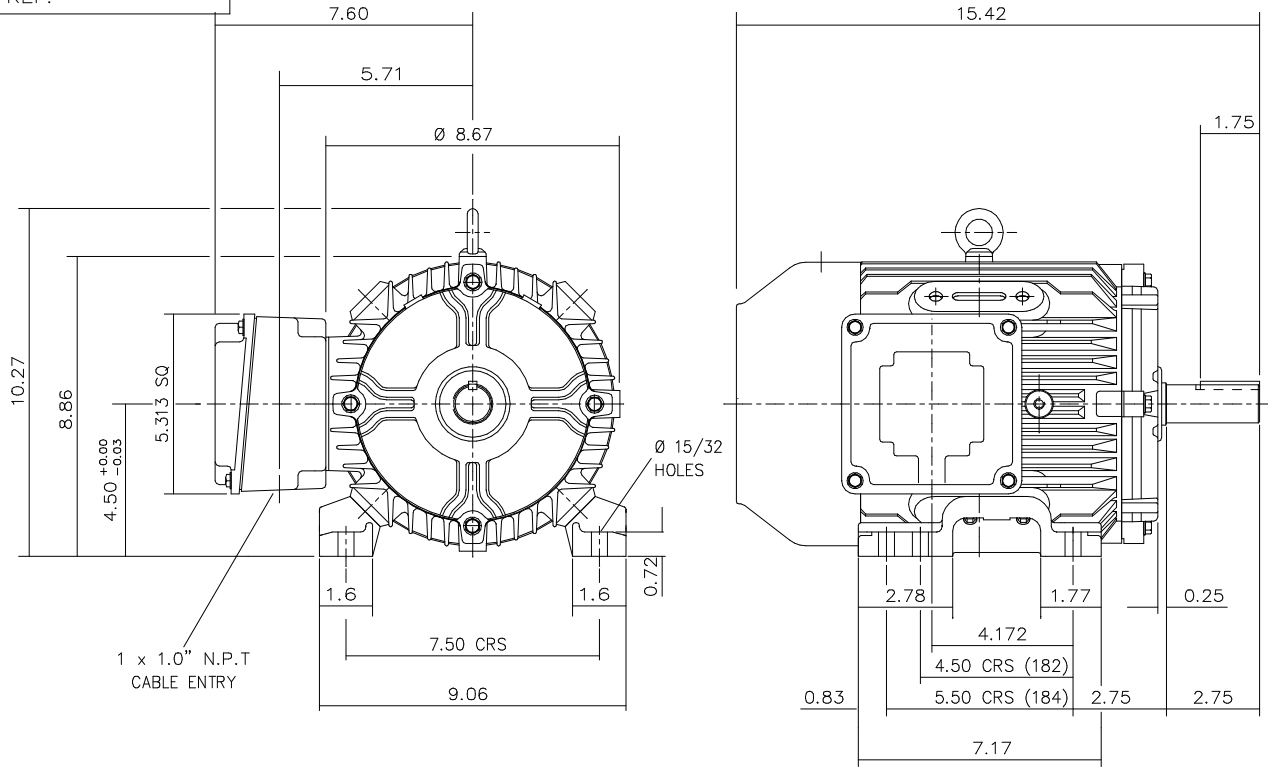


DRG. No. Y32GF001/1
 DRG. REF.



TERMINAL BOX POSITION:- CAN BE ARRANGED AT EITHER 9,12 OR 3 O'CLOCK BY MOVING
 STANDARD TERMINAL BOX POSITION IS 3 O'CLOCK AS SHOWN.
 CONDUIT ENTRIES:- TERMINAL BOX CAN BE ROTATED AT 90° INTERVALS
 (CONDUIT ENTRY POSITION SHOWN FOR ILLUSTRATION ONLY).

CUSTOMER		
ORDER No.		
SERIAL No.		
FRAME SIZE		
KW.	RPM.	
Hz	PHASE	
VOLTS	POLES	
BRGS.	DE.	NDE.
MOTOR NETT WT.		Kg.
SPECIAL REMARKS		

ALL DIMENSIONS IN INCHES
 FIRST ANGLE PROJECTION

BROOK CROMPTON
 Huddersfield, HD1 3LJ
 ENGLAND

SHEET SIZE **A3** TITLE OUTLINE DIMENSION DRAWING W CAST IRON TOTALLY ENCLOSED FAN COOLED 182/4 FRAME FOOT MOUNTED MOTOR

	NAME	DATE
DRAWN	VLS	6.12.00
CHECKED	RR	8.12.00
SCALE	1: 3.5	

DRG. No.	Y32GF001/1		
DRG. REF.			
REVISION:	DH	DATE	8-05-02