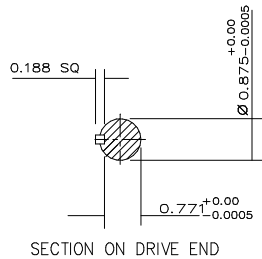
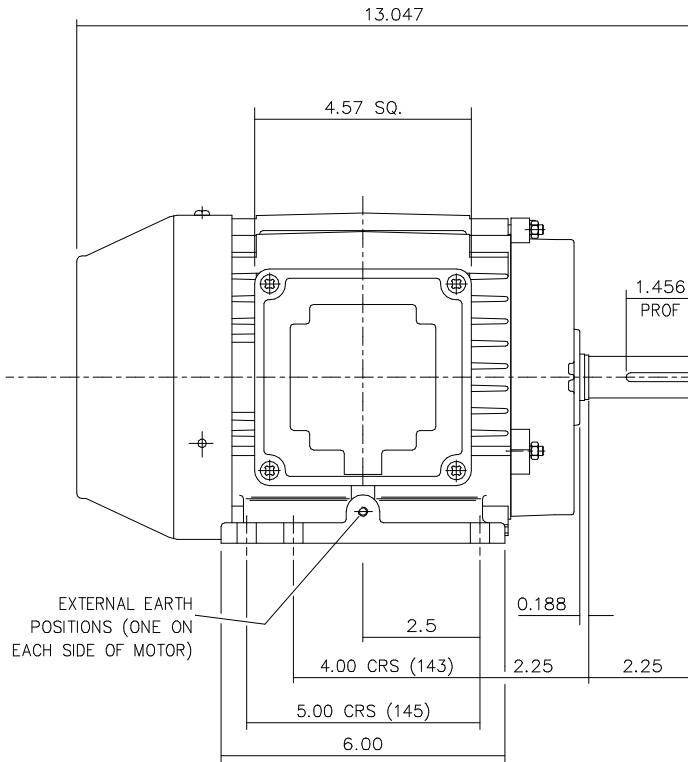
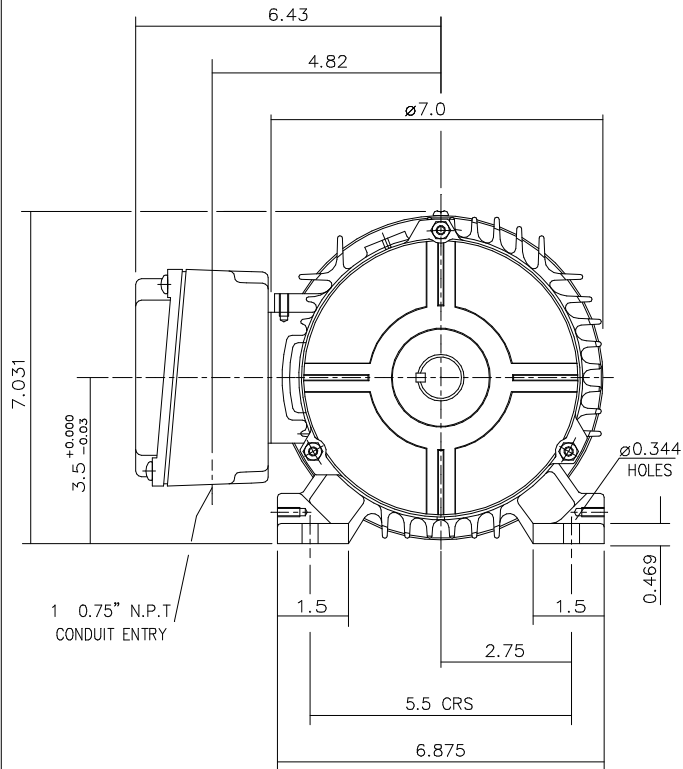


DRG. No. F31GF002/0  
 DRG. REF.



CUSTOMER		
ORDER No.		
PART No.		
OUR ORDER No.		
FRAME SIZE		
KW.	RPM.	
Hz	PHASE	
VOLTS	POLES	
BRGS.	DE.	NDE.
MOTOR NETT WT.		Kg.
SPECIAL REMARKS		

ALL DIMENSIONS IN INCHES.



**BROOK CROMPTON**

Huddersfield, HD1 3LJ  
 ENGLAND

STANDARD TERMINAL BOX POSITION IS 9 O'CLOCK AS SHOWN.  
 CONDUIT ENTRIES:- TERMINAL BOX CAN BE ROTATED AT 90° INTERVALS  
 (CONDUIT ENTRY POSITION SHOWN FOR ILLUSTRATION ONLY)

SHEET SIZE A3	TITLE	NAME	DATE	DRG. No.	F31GF002/0		
	OUTLINE DIMENSION DRAWING NEW DESIGN CAST-IRON TOTALLY ENCLOSED FAN COOLED	VLS	17-10-01	DRG. REF.			
	143/5 FRAME FOOT MOUNTED MOTOR	RR	17-10-01	REVISION:		DATE	
		SCALE	1:2.5				