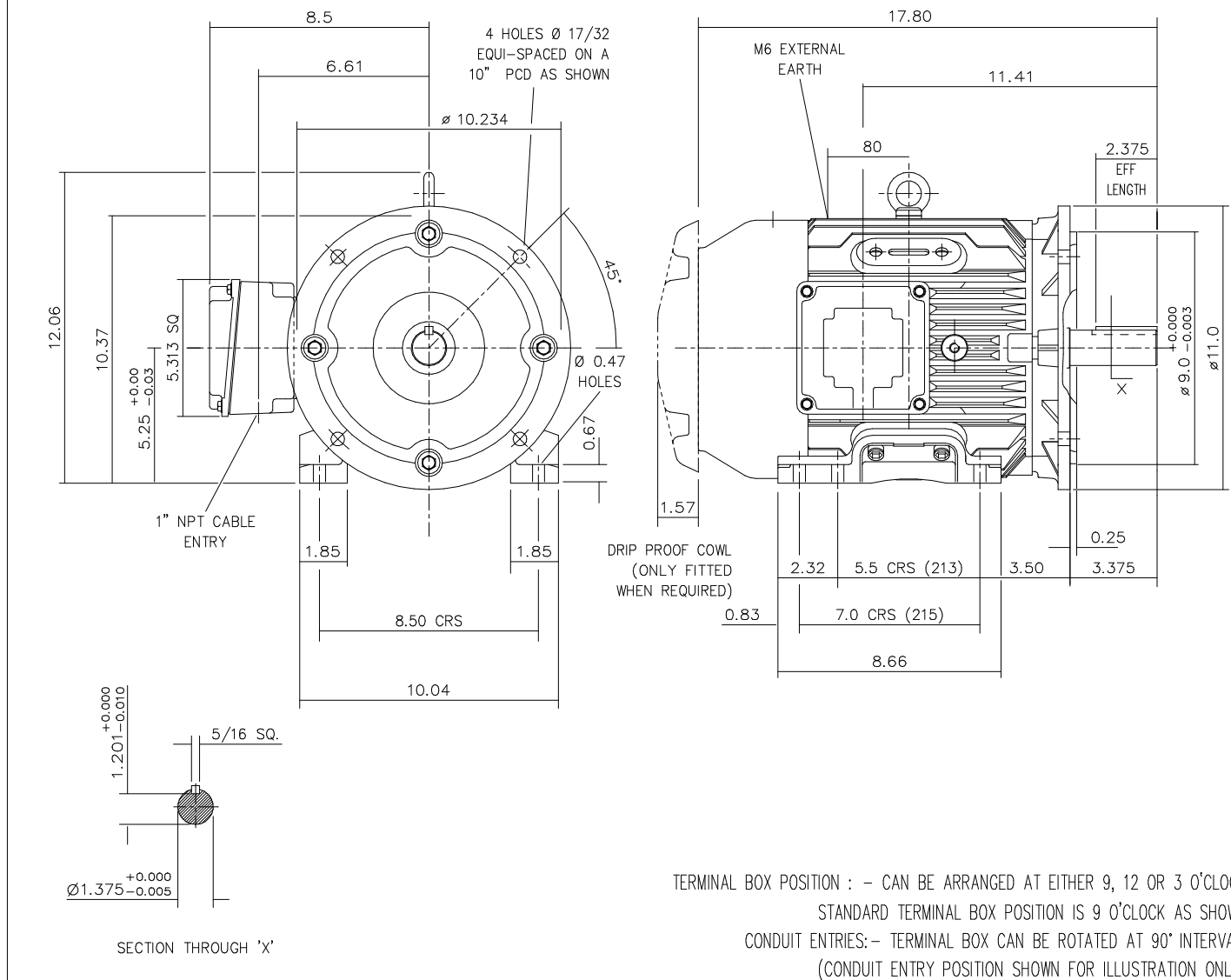


DRG. No. Y33GH002/1
 DRG. REF.



CUSTOMER		
ORDER No.		
SERIAL No.		
FRAME SIZE		
KW.	RPM.	
Hz	PHASE	
VOLTS	POLES	
BRGS.	DE.	NDE.
MOTOR NETT WT.		Kg.
SPECIAL REMARKS		

ALL DIMENSIONS IN INCHES

FIRST ANGLE
 PROJECTION

**BROOK
 CROMPTON**

Huddersfield, HD1 3LJ
 ENGLAND

SHEET SIZE A3	TITLE	DRG. No.	Y33GH002/1		
	OUTLINE DIMENSION DRAWING W CAST IRON TOTALLY ENCLOSED FAN COOLED 213/215T FRAME FOOT & FLANGE MOUNTED MOTOR	DRG. REF.			
		REVISION:	VLS	DATE	18-07-02
		SCALE	1 : 4		
		NAME	DATE		
		DRAWN	VLS	03-07-01	
		CHECKED	RR	03-07-01	