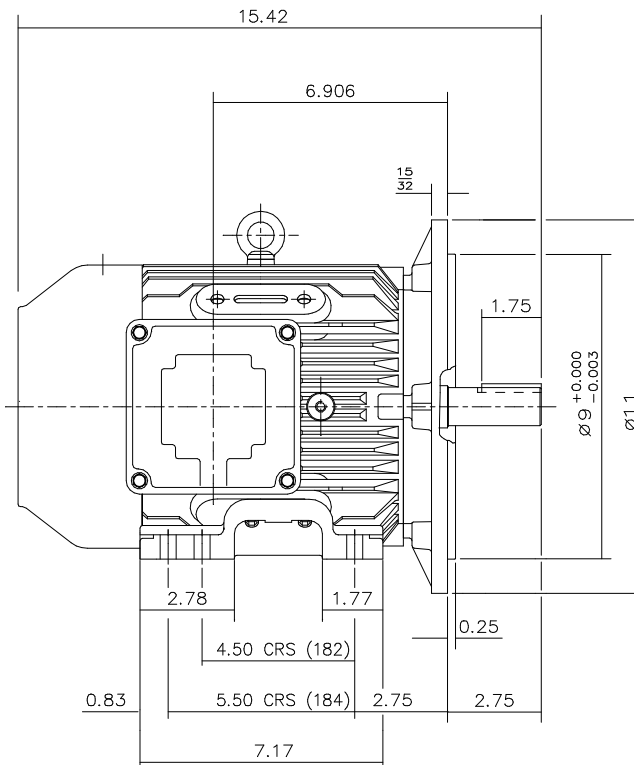
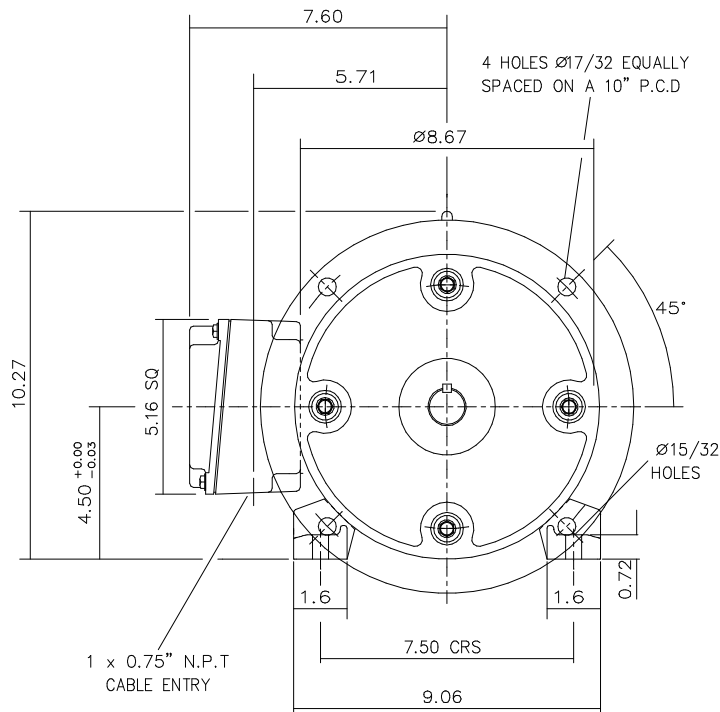
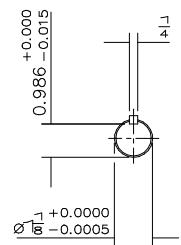


DRG. No. Y32GH002/0
 DRG. REF.

CUSTOMER
 ORDER No.
 SERIAL No.
 FRAME SIZE
 KW. RPM.
 Hz PHASE
 VOLTS POLES
 BRGS. DE. NDE.
 MOTOR NETT WT. Kg.
 SPECIAL REMARKS



VIEW ON SHAFT EXTENSION



TERMINAL BOX POSITION: - CAN BE ARRANGED AT EITHER 9,12 OR 3 O'CLOCK BY MOVING FEET. STANDARD TERMINAL BOX POSITION IS 9 O'CLOCK AS SHOWN.
 CONDUIT ENTRIES: - TERMINAL BOX CAN BE ROTATED AT 90° INTERVALS (CONDUIT ENTRY POSITION SHOWN FOR ILLUSTRATION ONLY).

ALL DIMENSIONS IN INCHES
 FIRST ANGLE PROJECTION

BROOK CROMPTON
 Huddersfield, HD1 3LJ
 ENGLAND

SHEET SIZE A3	TITLE OUTLINE DIMENSION DRAWING W CAST IRON TOTALLY ENCLOSED FAN COOLED 182/4 FRAME FLANGE & FEET MOUNTED MOTOR	NAME	DATE	DRG. No. Y32GH002/0	
		DRAWN RR	29-06-01		DRG. REF.
		CHECKED VLS	29-06-01	REVISION:	DATE
		SCALE 1:3.5			