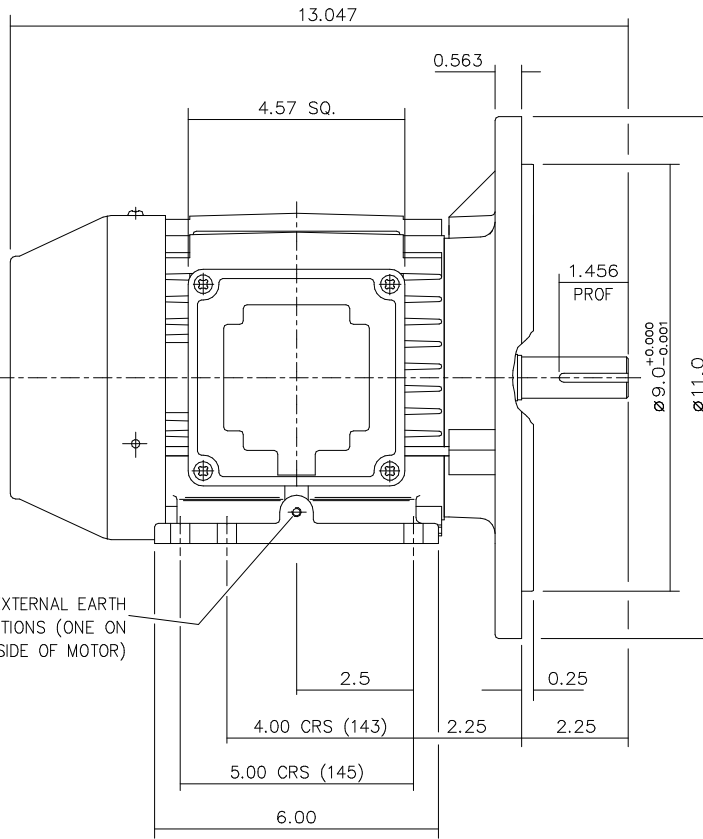
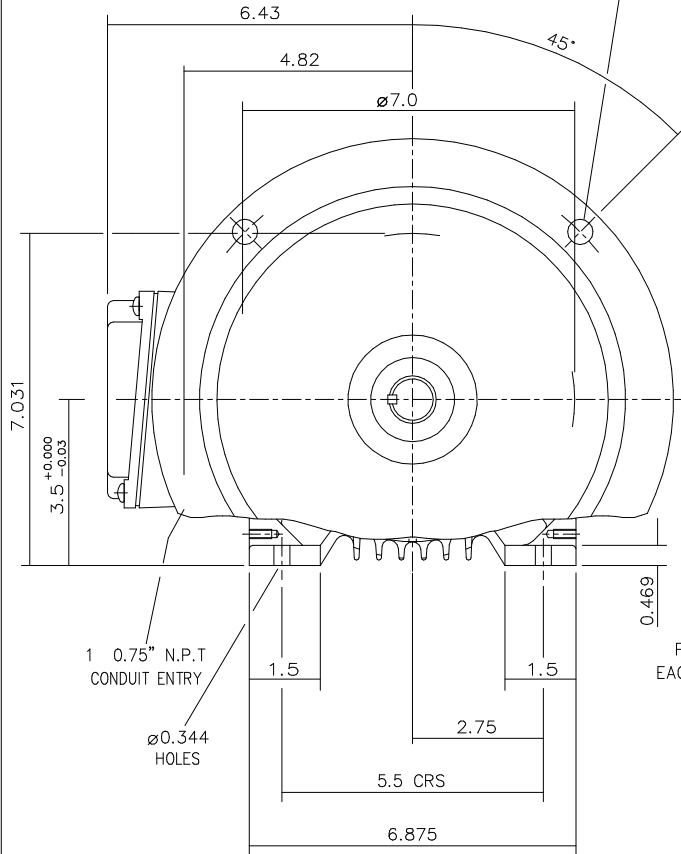
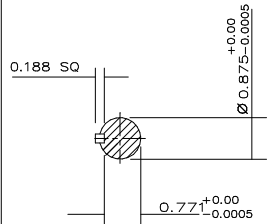


DRG. No. F31GH002/0
 DRG. REF.

4 HOLES \varnothing 0.531" EQUI-SPACED
 ON A 10" PCD AS SHOWN



EXTERNAL EARTH
 POSITIONS (ONE ON
 EACH SIDE OF MOTOR)



SECTION ON DRIVE END

CUSTOMER		
ORDER No.		
PART No.		
OUR ORDER No.		
FRAME SIZE		
KW.	RPM.	
Hz	PHASE	
VOLTS	POLES	
BRGS.	DE.	NDE.
MOTOR NETT WT.	Kg.	
SPECIAL REMARKS		

ALL DIMENSIONS IN INCHES.



BROOK CROMPTON

Huddersfield, HD1 3LJ
 ENGLAND

STANDARD TERMINAL BOX POSITION IS 9 O'CLOCK AS SHOWN.
 CONDUIT ENTRIES:- TERMINAL BOX CAN BE ROTATED AT 90° INTERVALS
 (CONDUIT ENTRY POSITION SHOWN FOR ILLUSTRATION ONLY)

SHEET SIZE A3	TITLE OUTLINE DIMENSION DRAWING NEW DESIGN CAST-IRON TOTALLY ENCLOSED FAN COOLED 143/5 FRAME FOOT & FLANGE MOUNTED MOTOR	DRAWN VLS	NAME VLS	DATE 17-10-01	DRG. No. F31GH002/0
		CHECKED RR	NAME RR	DATE 17-10-01	DRG. REF.
		SCALE 1:2.5			REVISION: DATE