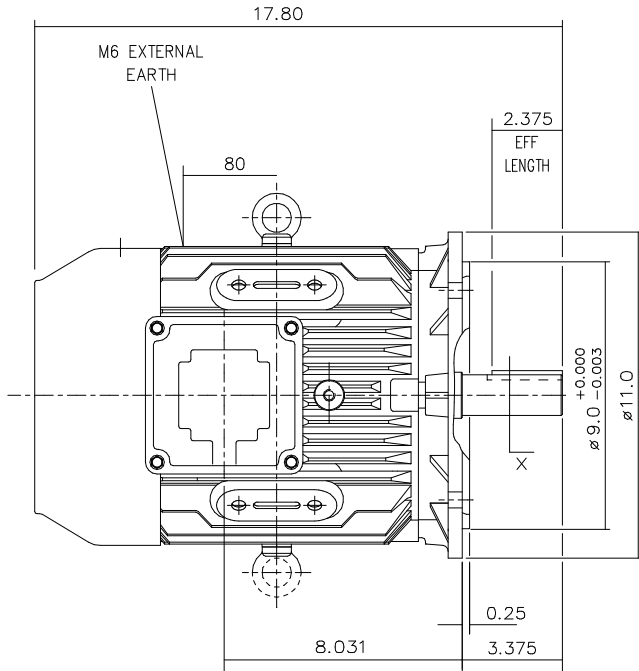
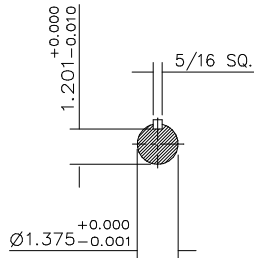
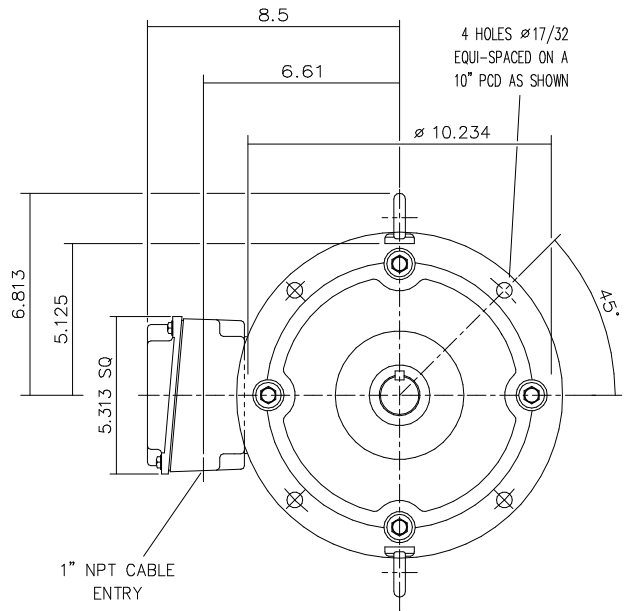
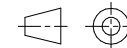


DRG. No. Y33GH001/1
 DRG. REF.



CUSTOMER		
ORDER No.		
SERIAL No.		
FRAME SIZE		
KW.	RPM.	
Hz	PHASE	
VOLTS	POLES	
BRGS.	DE.	NDE.
MOTOR NETT WT.		Kg.
SPECIAL REMARKS		

ALL DIMENSIONS IN INCHES



FIRST ANGLE PROJECTION

BROOK CROMPTON

Huddersfield, HD1 3LJ
 ENGLAND

TERMINAL BOX POSITION : - CAN BE ARRANGED AT EITHER 9, 12 OR 3 O'CLOCK.
 STANDARD TERMINAL BOX POSITION IS 9 O'CLOCK AS SHOWN.
 CONDUIT ENTRIES:- TERMINAL BOX CAN BE ROTATED AT 90° INTERVALS
 (CONDUIT ENTRY POSITION SHOWN FOR ILLUSTRATION ONLY).

SHEET SIZE
 A3

TITLE
 OUTLINE DIMENSION DRAWING W CAST IRON TOTALLY ENCLOSED FAN COOLED
 213/215T FRAME D FLANGE MOUNTED MOTOR

	NAME	DATE
DRAWN	VLS	30/11/00
CHECKED	RR	30-11-00
SCALE	1 : 4	

DRG. No.	Y33GH001/1		
DRG. REF.			
REVISION:	VLS	DATE	18-07-02