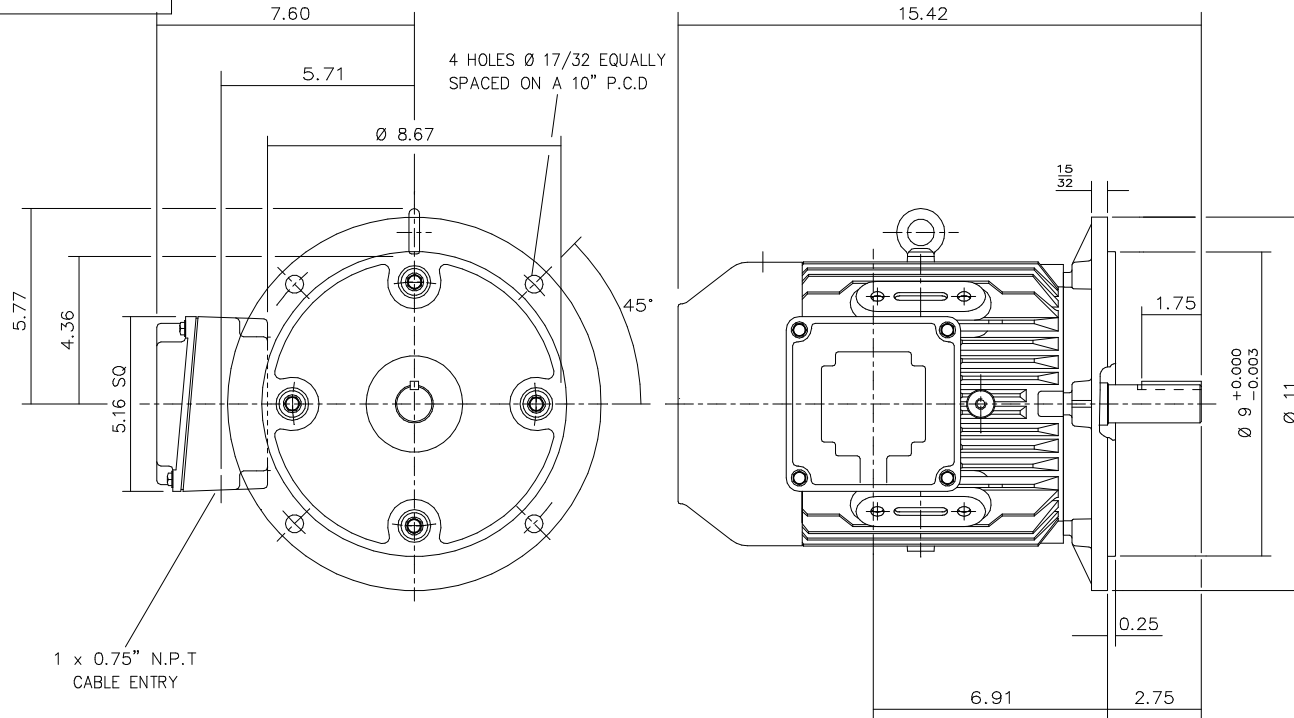
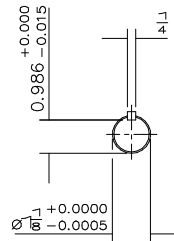


DRG. No. Y32GH001/0
 DRG. REF.



1 x 0.75" N.P.T
 CABLE ENTRY

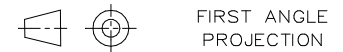
VIEW ON SHAFT EXTENSION



TERMINAL BOX POSITION: - CAN BE ARRANGED AT EITHER 9,12 OR 3 O'CLOCK BY MOVING
 STANDARD TERMINAL BOX POSITION IS 9 O'CLOCK AS SHOWN.
 CONDUIT ENTRIES: - TERMINAL BOX CAN BE ROTATED AT 90° INTERVALS
 (CONDUIT ENTRY POSITION SHOWN FOR ILLUSTRATION ONLY).

CUSTOMER		
ORDER No.		
SERIAL No.		
FRAME SIZE		
KW.	RPM.	
Hz	PHASE	
VOLTS	POLES	
BRGS.	DE.	NDE.
MOTOR NETT WT.		Kg.
SPECIAL REMARKS		

ALL DIMENSIONS IN INCHES



**BROOK
 CROMPTON**

Huddersfield, HD1 3LJ
 ENGLAND

SHEET TITLE
 SIZE A3 OUTLINE DIMENSION DRAWING W CAST IRON TOTALLY ENCLOSED FAN COOLED
 182/4 FRAME FLANGE MOUNTED MOTOR

	NAME	DATE
DRAWN	VLS	02-02-01
CHECKED	RR	02-02-01
SCALE	1: 3.5	

DRG. No.	Y32GH001/0	
DRG. REF.		
REVISION:		DATE