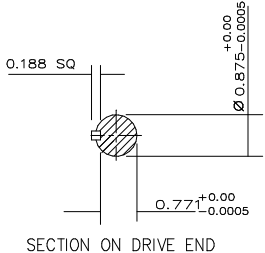
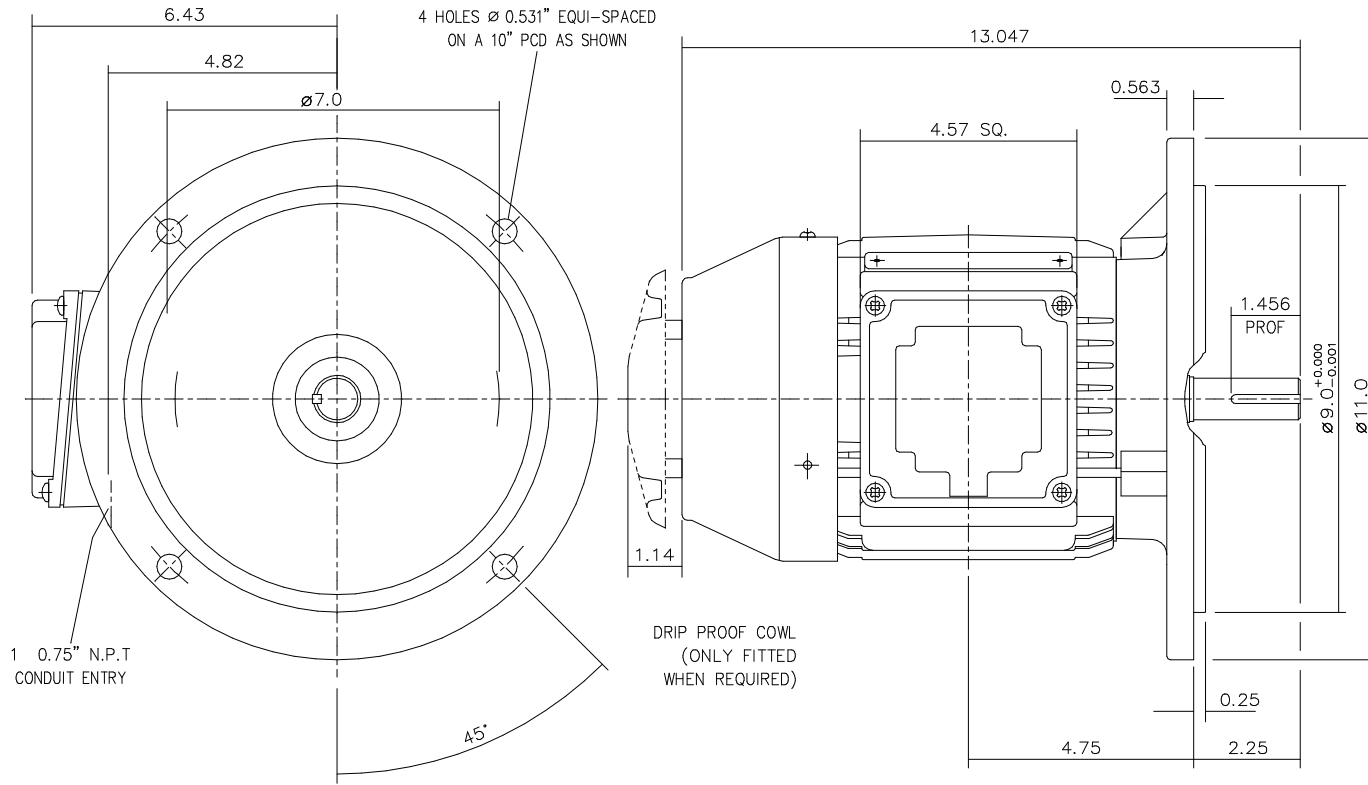


DRG. No. F31GH001/0
 DRG. REF.

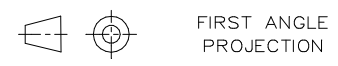
CUSTOMER
 ORDER No.
 PART No.
 OUR ORDER No.
 FRAME SIZE
 KW. RPM.
 Hz PHASE
 VOLTS POLES
 BRGS. DE. NDE.
 MOTOR NETT WT. Kg.
 SPECIAL REMARKS



DRIP PROOF COWL
 (ONLY FITTED
 WHEN REQUIRED)

STANDARD TERMINAL BOX POSITION IS 9 O'CLOCK AS SHOWN.
 CONDUIT ENTRIES:- TERMINAL BOX CAN BE ROTATED AT 90° INTERVALS
 (CONDUIT ENTRY POSITION SHOWN FOR ILLUSTRATION ONLY)

ALL DIMENSIONS IN INCHES.



**BROOK
 CROMPTON**

Huddersfield, HD1 3LJ
 ENGLAND

SHEET SIZE A3	TITLE OUTLINE DIMENSION DRAWING NEW DESIGN CAST-IRON TOTALLY ENCLOSED FAN COOLED 143/5 FRAME FLANGE MOUNTED MOTOR	NAME	DATE	DRG. No.	F31GH001/0			
		DRAWN	VLS	17-10-01	DRG. REF.			
		CHECKED	RR	17-10-01	REVISION:		DATE	
		SCALE	1:2.5					