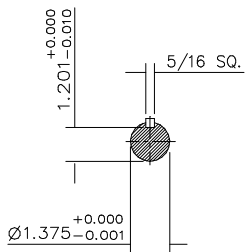
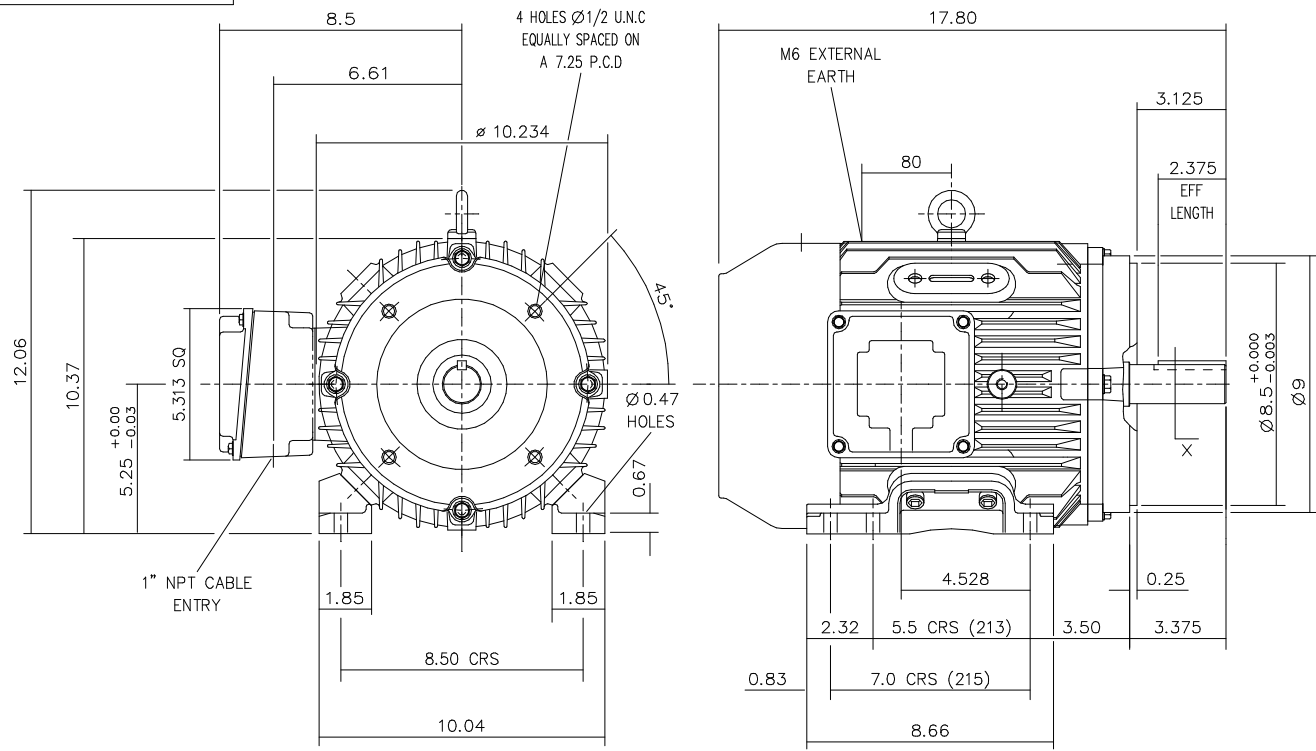


DRG. No. Y33GE002/1
 DRG. REF.



SECTION THROUGH 'X'

TERMINAL BOX POSITION : - CAN BE ARRANGED AT EITHER 9, 12 OR 3 O'CLOCK.
 STANDARD TERMINAL BOX POSITION IS 9 O'CLOCK AS SHOWN.
 CONDUIT ENTRIES:- TERMINAL BOX CAN BE ROTATED AT 90° INTERVALS
 (CONDUIT ENTRY POSITION SHOWN FOR ILLUSTRATION ONLY).

CUSTOMER		
ORDER No.		
SERIAL No.		
FRAME SIZE		
KW.	RPM.	
Hz	PHASE	
VOLTS	POLES	
BRGS.	DE.	NDE.
MOTOR NETT WT.	Kg.	
SPECIAL REMARKS		

ALL DIMENSIONS IN INCHES
 FIRST ANGLE PROJECTION

BROOK CROMPTON
 Huddersfield, HD1 3LJ
 ENGLAND

SHEET SIZE A3	TITLE
	OUTLINE DIMENSION DRAWING W CAST IRON TOTALLY ENCLOSED FAN COOLED 213/215T FRAME C FACE WITH FEET MOUNTED MOTOR

	NAME	DATE
DRAWN	RR	04-07-01
CHECKED	DH	04-07-01
SCALE	1 : 4	

DRG. No.	Y33GE002/1		
DRG. REF.			
REVISION:	VLS	DATE	18-07-02