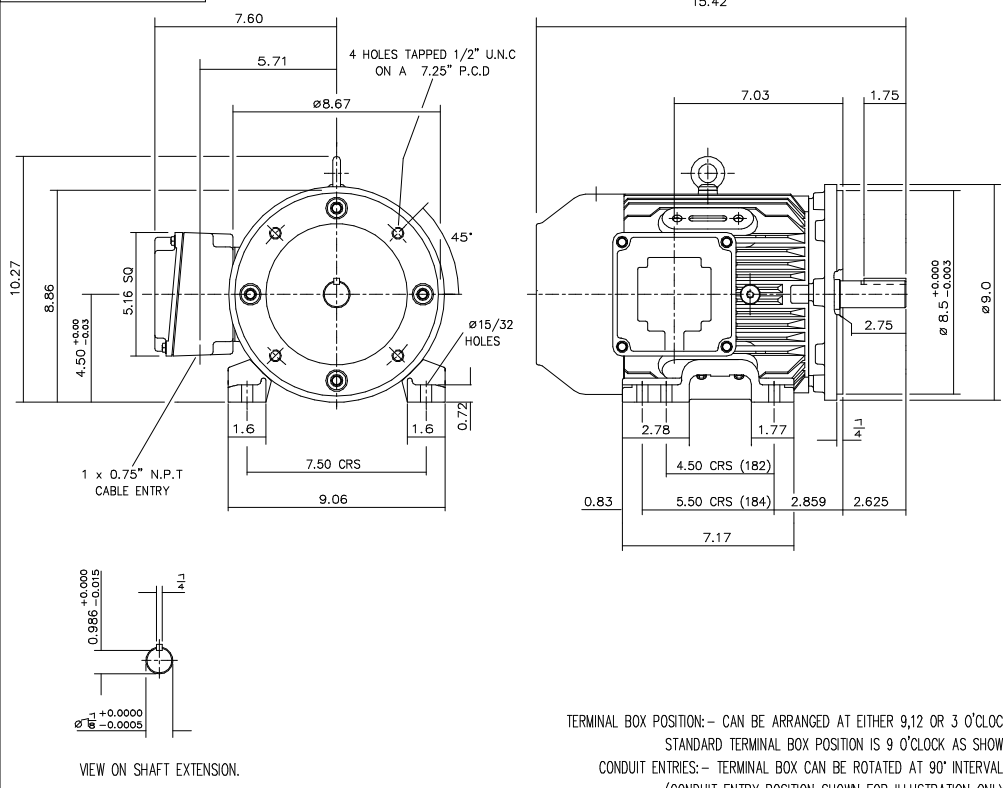


DRG. No. Y32GE006/0
 DRG. REF.



TERMINAL BOX POSITION: - CAN BE ARRANGED AT EITHER 9,12 OR 3 O'CLOCK
 STANDARD TERMINAL BOX POSITION IS 9 O'CLOCK AS SHOWN
 CONDUIT ENTRIES: - TERMINAL BOX CAN BE ROTATED AT 90° INTERVALS
 (CONDUIT ENTRY POSITION SHOWN FOR ILLUSTRATION ONLY)

CUSTOMER
ORDER No.
SERIAL No.
FRAME SIZE
KW.
Hz
VOLTS
BRGS.
MOTOR NETT WT.
SPECIAL REMARKS

RPM.
PHASE
POLES
DE.
NDE.
Kg.

ALL DIMENSIONS IN INCHES
 FIRST ANGLE
 PROJECTION

BROOK CROMPTON
 Huddersfield, HD1 3LJ
 ENGLAND

SHEET SIZE A3	TITLE	DRG. No.	Y32GE006/0
	OUTLINE DIMENSION DRAWING W CAST IRON TOTALLY ENCLOSED FAN COOLED 182/4 FRAME FACE WITH FEET MOUNTED MOTOR - 8.5" SPIGOT	DRG. REF.	
		REVISION:	DATE

NAME	DATE
RR	03-07-01
VLS	03-07-01
SCALE	1: 3.5