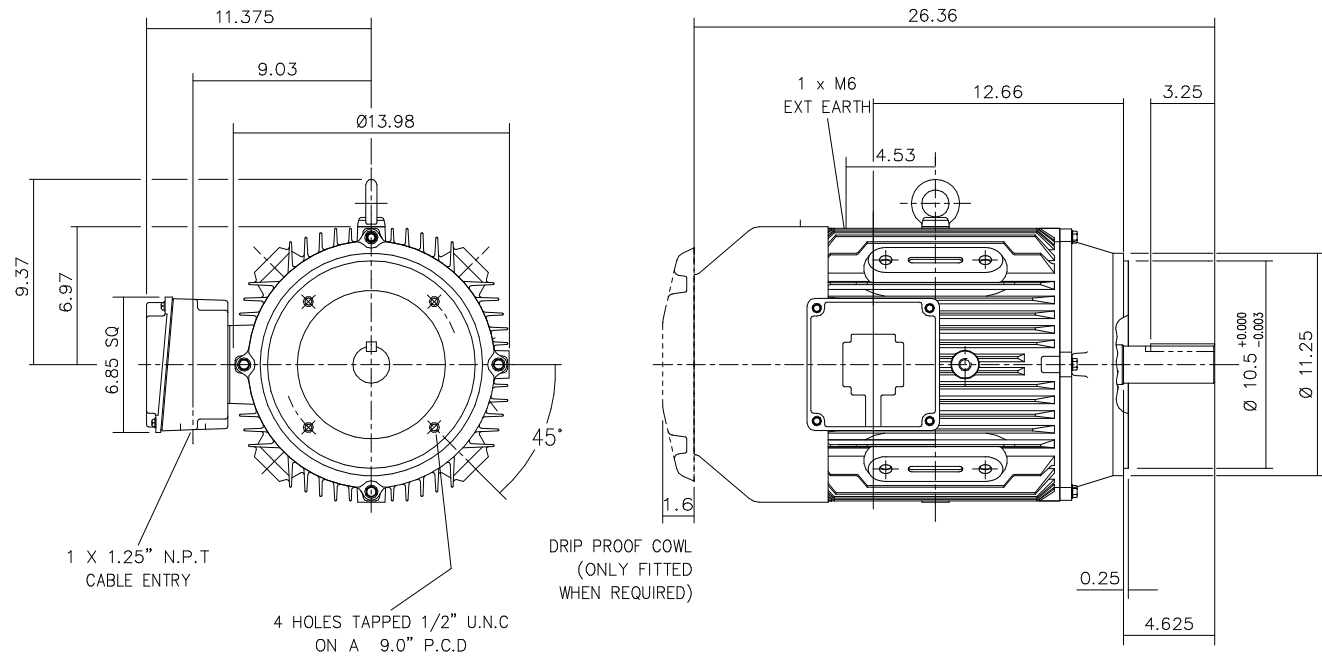


DRG. No. Y35GE002/1  
 DRG. REF.

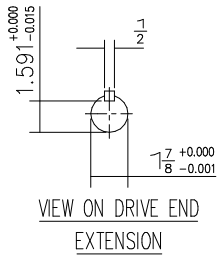
CUSTOMER		
ORDER No.		
SERIAL No.		
FRAME SIZE		
KW.	RPM.	
Hz	PHASE	
VOLTS	POLES	
BRGS.	DE.	NDE.
MOTOR NETT WT.	Kg.	
SPECIAL REMARKS		



1 X 1.25" N.P.T  
 CABLE ENTRY

DRIP PROOF COWL  
 (ONLY FITTED  
 WHEN REQUIRED)

4 HOLES TAPPED 1/2" U.N.C  
 ON A 9.0" P.C.D



DRAIN HOLES: - WHEN TERMINAL BOX IS MOVED FROM STANDARD POSITION  
 THEY WILL NEED TO BE PLUGGED AND RE-LOCATED ELSEWHERE - IF REQUIRED  
 TERMINAL BOX POSITION : - CAN BE ARRANGED AT EITHER 9, 12 OR 3 O'CLOCK  
 CONDUIT ENTRIES: - TERMINAL BOX CAN BE ROTATED AT 90° INTERVALS  
 (CONDUIT ENTRY POSITION SHOWN FOR ILLUSTRATION ONLY)

ALL DIMENSIONS IN INCHES.



**BROOK  
 CROMPTON**

Huddersfield, HD1 3LJ  
 ENGLAND

SHEET SIZE A3	TITLE OUTLINE DIMENSION DRAWING W CAST IRON TOTALLY ENCLOSED FAN COOLED 284/6T FRAME FACE MOUNTED MOTOR	NAME	DATE	DRG. No. Y35GE002/1	
		DRAWN	VLS		11-01-01
		CHECKED	RR		11-01-01
		SCALE	1 : 6		
				DRG. REF.	
REVISION: VLS				DATE 16-07-02	