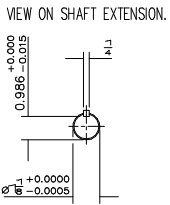
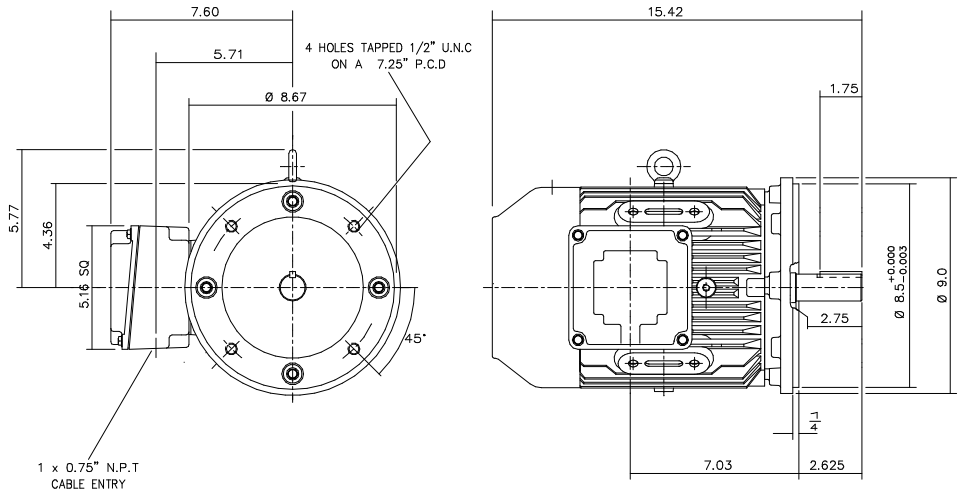


DRG. No. Y32GE002/0  
 DRG. REF.



TERMINAL BOX POSITION: - CAN BE ARRANGED AT EITHER 9,12 OR 3 O'CLOCK  
 STANDARD TERMINAL BOX POSITION IS 9 O'CLOCK AS SHOWN  
 CONDUIT ENTRIES: - TERMINAL BOX CAN BE ROTATED AT 90° INTERVALS  
 (CONDUIT ENTRY POSITION SHOWN FOR ILLUSTRATION ONLY)

CUSTOMER
ORDER No.
SERIAL No.
FRAME SIZE
KW.
Hz
VOLTS
BRGS.
MOTOR NETT WT.
SPECIAL REMARKS

RPM.
PHASE
POLES
DE.
NDE.
Kg.

ALL DIMENSIONS IN INCHES  
 FIRST ANGLE PROJECTION

**BROOK CROMPTON**  
 Huddersfield, HD1 3LJ  
 ENGLAND

SHEET SIZE A3	TITLE	DRG. No.	Y32GE002/0
	OUTLINE DIMENSION DRAWING W CAST IRON TOTALLY ENCLOSED FAN COOLED	DRG. REF.	
	182/4 FRAME FACE MOUNTED MOTOR - 8.5" SPIGOT	REVISION:	DATE
		SCALE	1: 3.5

NAME	DATE
VLS	02-02-01
RR	02-02-01