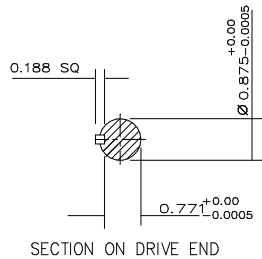
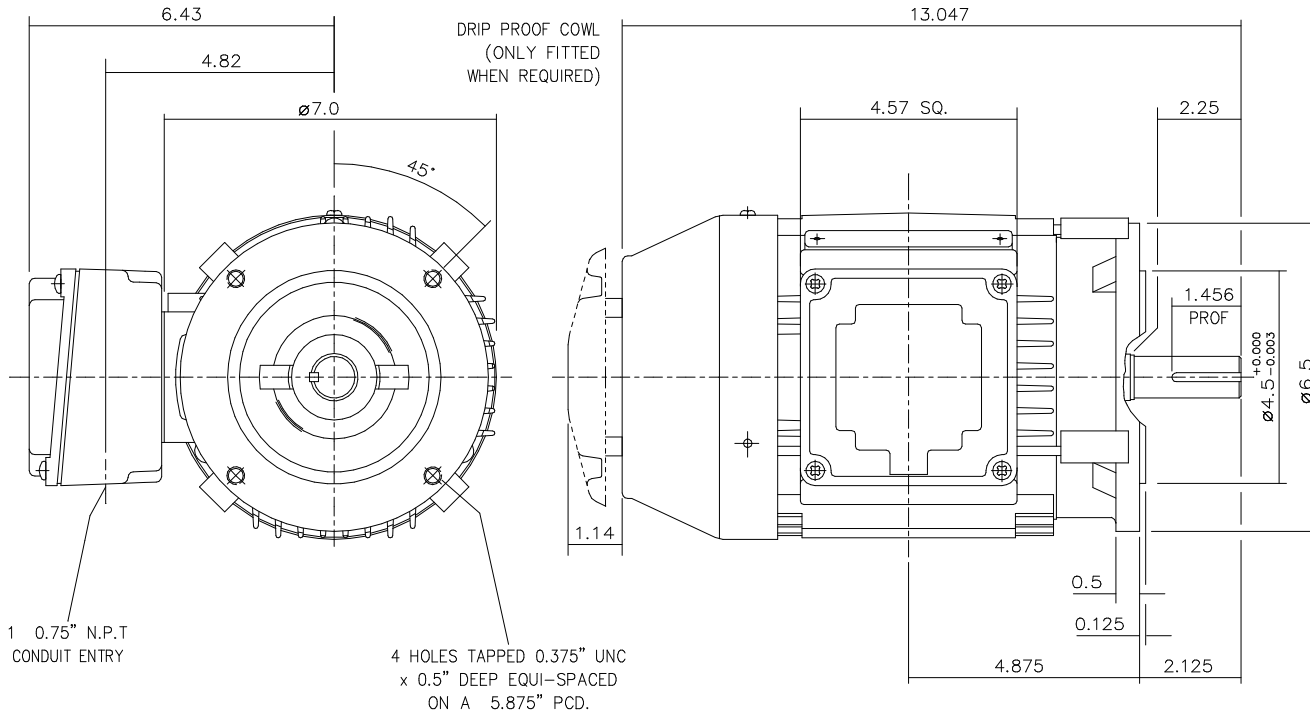


DRG. No. F31GE001/0
 DRG. REF.



STANDARD TERMINAL BOX POSITION IS 9 O'CLOCK AS SHOWN.
 CONDUIT ENTRIES: - TERMINAL BOX CAN BE ROTATED AT 90° INTERVALS
 (CONDUIT ENTRY POSITION SHOWN FOR ILLUSTRATION ONLY)

CUSTOMER		
ORDER No.		
PART No.		
OUR ORDER No.		
FRAME SIZE		
KW.	RPM.	
Hz	PHASE	
VOLTS	POLES	
BRGS.	DE.	NDE.
MOTOR NETT WT.	Kg.	
SPECIAL REMARKS		

ALL DIMENSIONS IN INCHES.



**BROOK
CROMPTON**

Huddersfield, HD1 3LJ
ENGLAND

SHEET SIZE A3	TITLE OUTLINE DIMENSION DRAWING NEW DESIGN CAST-IRON TOTALLY ENCLOSED FAN COOLED 143/5 FRAME FACE MOUNTED MOTOR
---------------------	---

	NAME	DATE
DRAWN	VLS	17-10-01
CHECKED	RR	17-10-01
SCALE	1:2.5	

DRG. No.	F31GE001/0		
DRG. REF.			
REVISION:		DATE	