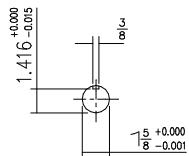
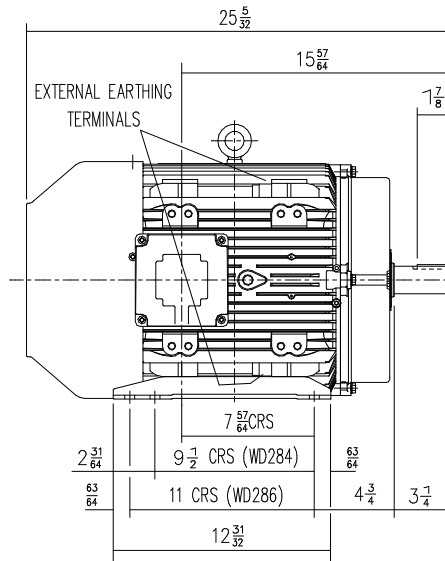
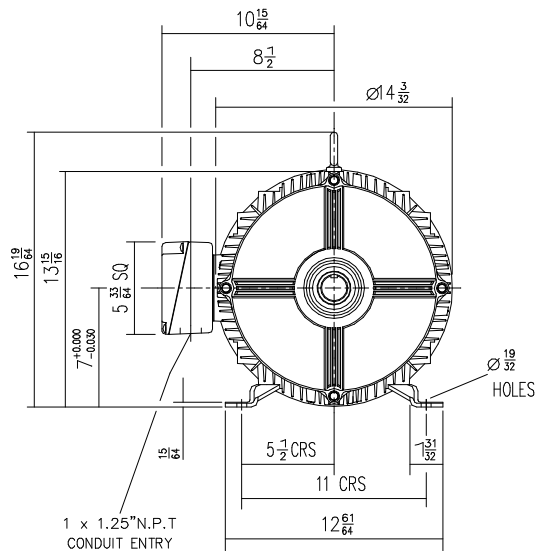


DRG. No. W35GF001/1
 DRG. REF.



VIEW ON DRIVE END
EXTENSION

THEY WILL NEED TO BE PLUGGED AND RE-LOCATED ELSEWHERE - IF REQUIRED
 DRAIN HOLES:- WHEN TERMINAL BOX IS MOVED FROM STANDARD POSITION
 TERMINAL BOX POSITION:- CAN BE ARRANGED AT EITHER 9, 12, OR 3 O'CLOCK BY MOVING
 STANDARD TERMINAL BOX POSITION IS 9 O'CLOCK AS SHOWN
 CONDUIT ENTRIES:- TERMINAL BOX CAN BE ROTATED AT 90° INTERVALS
 (CONDUIT ENTRY POSITION SHOWN FOR ILLUSTRATION ONLY)

CUSTOMER		
ORDER No.		
PART No.		
OUR ORDER No.		
FRAME SIZE		
KW.		RPM.
Hz		PHASE
VOLTS		POLES
BRGS.	DE.	NDE.
MOTOR NETT WT.		Kg.
SPECIAL REMARKS		

ALL DIMENSIONS IN INCHES



FIRST ANGLE
PROJECTION

**BROOK
CROMPTON**

Huddersfield, HD1 3LJ
ENGLAND

SHEET SIZE A3	TITLE	OUTLINE DIMENSION DRAWING W ALUMINIUM TOTALLY ENCLOSED FAN COOLED WD284/6TS FRAME FOOT MOUNTED MOTOR. (2 POLE)
	DRAWN	DH
	CHECKED	RR
	SCALE	1 : 6

NAME	DATE
DH	2-8-00
RR	2-8-00

DRG. No.	W35GF001/1
DRG. REF.	
REVISION:	VLS
DATE	18-04-02