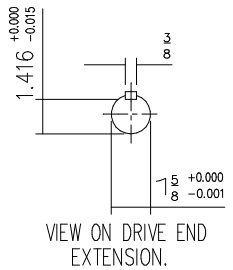
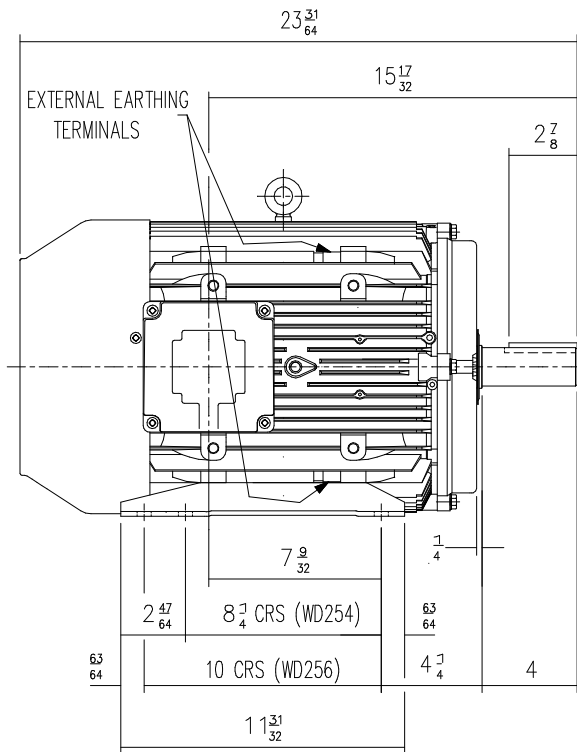
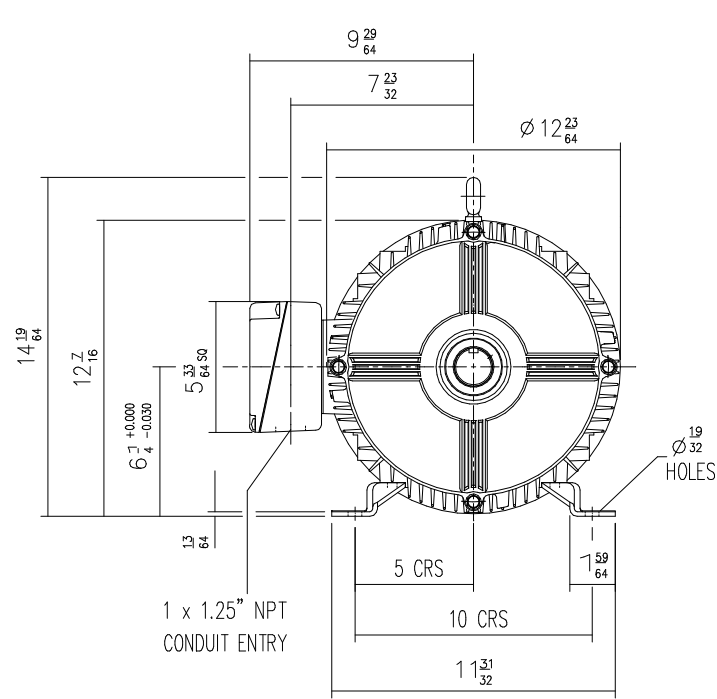


DRG. No. W34GF000/1
 DRG. REF.



DRAIN HOLES: - WHEN TERMINAL BOX IS MOVED FROM STANDARD POSITION THEY WILL NEED TO BE PLUGGED AND RE-LOCATED ELSEWHERE - IF REQUIRED.
 TERMINAL BOX POSITION: - CAN BE ARRANGED AT EITHER 9,12 OR 3 O'CLOCK.
 STANDARD TERMINAL BOX POSITION IS 9 O'CLOCK AS SHOWN.
 CONDUIT ENTRIES; - TERMINAL BOX CAN BE ROTATED AT 90° INTERVALS.
 (CONDUIT ENTRY POSITION SHOWN FOR ILLUSTRATION ONLY).

CUSTOMER		
ORDER No.		
PART No.		
OUR ORDER No.		
FRAME SIZE		
KW.	RPM.	
Hz	PHASE	
VOLTS	POLES	
BRGS.	DE.	NDE.
MOTOR NETT WT.	Kg.	
SPECIAL REMARKS		

ALL DIMENSIONS IN INCHES



BROOK CROMPTON

Huddersfield, HD1 3LJ
 ENGLAND

SHEET SIZE **A3** TITLE **OUTLINE DIMENSION DRAWING W ALUMINIUM TOTALLY ENCLOSED FAN COOLED 254/6T FRAME FOOT MOUNTED MOTOR**

NAME	DATE
DRAWN MI	23-11-95
CHECKED JWD	23-11-95
SCALE	1 : 5

DRG. No.	W34GF000/1		
DRG. REF.			
REVISION:	RR	DATE	16-06-01