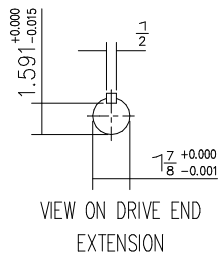
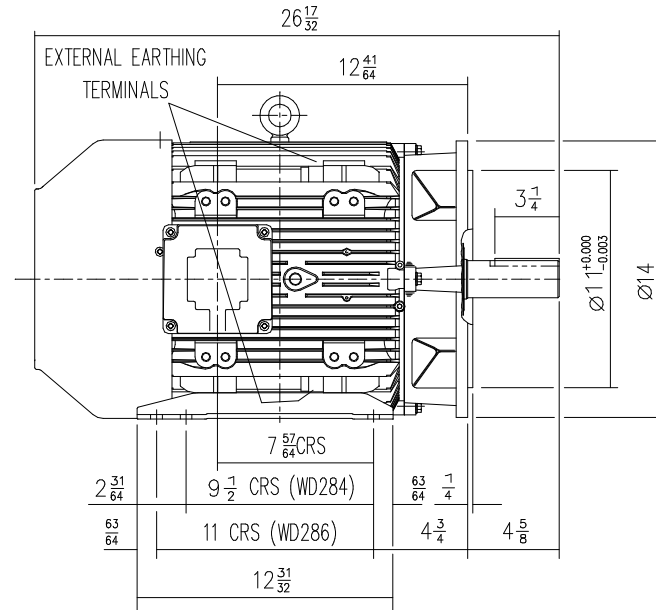
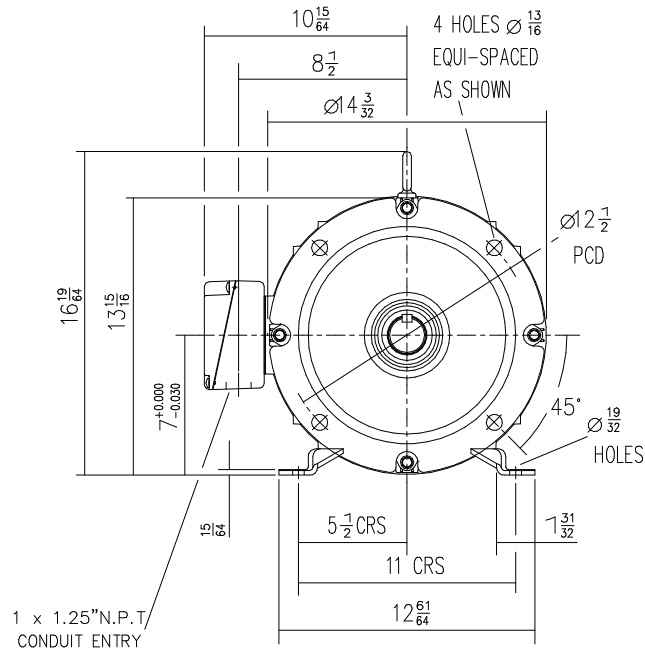


DRG. No. W35GH000/1
 DRG. REF.

CUSTOMER		
ORDER No.		
PART No.		
OUR ORDER No.		
FRAME SIZE		
KW.	RPM.	
Hz	PHASE	
VOLTS	POLES	
BRGS.	DE.	NDE.
MOTOR NETT WT.	Kg.	
SPECIAL REMARKS		



DRAIN HOLES: - WHEN TERMINAL BOX IS MOVED FROM STANDARD POSITION THEY WILL NEED TO BE PLUGGED AND RE-LOCATED ELSEWHERE - IF REQUIRED
 TERMINAL BOX POSITION: - CAN BE ARRANGED AT EITHER 9, 12, OR 3 O' CLOCK
 STANDARD TERMINAL BOX POSITION IS 9 O'CLOCK AS SHOWN
 CONDUIT ENTRIES: - TERMINAL BOX CAN BE ROTATED AT 90° INTERVALS
 (CONDUIT ENTRY POSITION SHOWN FOR ILLUSTRATION ONLY)

ALL DIMENSIONS IN INCHES



**BROOK
CROMPTON**

Huddersfield, HD1 3LJ
ENGLAND

SHEET TITLE
 SIZE A3 OUTLINE DIMENSION DRAWING 'W' ALUMINIUM TOTALLY ENCLOSED FAN COOLED
 284/6T FRAME 'D' INCH FLANGE MOUNTED MOTOR

	NAME	DATE
DRAWN	MI	23.11.95
CHECKED	JWD	23.11.95
SCALE	1:6	

DRG. No.	W35GH000/1		
DRG. REF.			
REVISION:	VLS	DATE	18-04-02