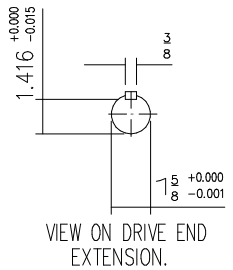
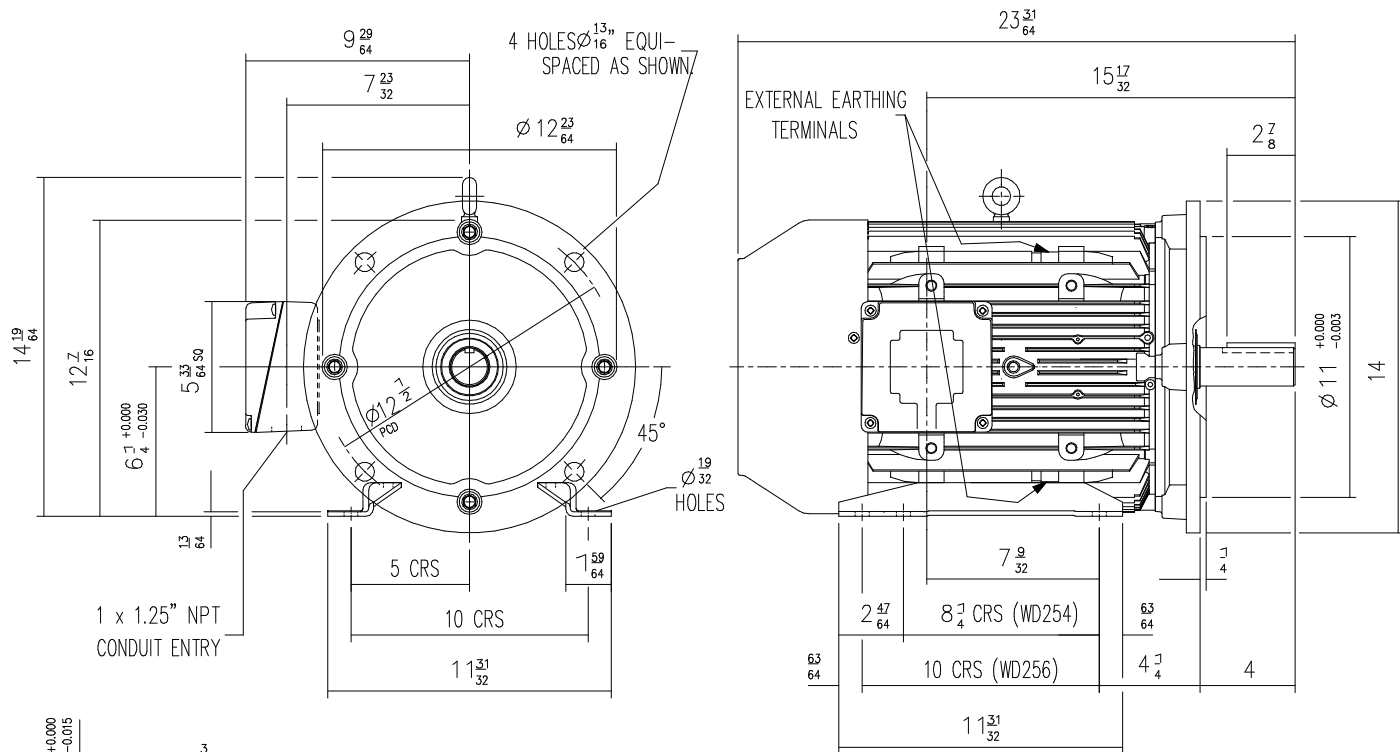


DRG. No. W34GH000/1
 DRG. REF.

CUSTOMER
 ORDER No.
 PART No.
 OUR ORDER No.
 FRAME SIZE
 KW. RPM.
 Hz PHASE
 VOLTS POLES
 BRGS. DE. NDE.
 MOTOR NETT WT. Kg.
 SPECIAL REMARKS



DRAIN HOLES: - WHEN TERMINAL BOX IS MOVED FROM STANDARD POSITION THEY WILL NEED TO BE PLUGGED AND RE-LOCATED ELSEWHERE - IF REQUIRED.
 TERMINAL BOX POSITION: - CAN BE ARRANGED AT EITHER 9,12 OR 3 O'CLOCK BY MOVING FEET. STANDARD TERMINAL BOX POSITION IS 9 O'CLOCK AS SHOWN.
 CONDUIT ENTRIES; - TERMINAL BOX CAN BE ROTATED AT 90° INTERVALS. (CONDUIT ENTRY POSITION SHOWN FOR ILLUSTRATION ONLY).

ALL DIMENSIONS IN INCHES
 FIRST ANGLE PROJECTION

BROOK CROMPTON
 Huddersfield, HD1 3LJ ENGLAND

SHEET SIZE A3	TITLE OUTLINE DIMENSION DRAWING 'W' ALUMINIUM TOTALLY ENCLOSED FAN COOLED 254/6T FRAME 'D' INCH FLANGE WITH FEET MOUNTED MOTORS.	NAME	DATE	DRG. No.	W34GH000/1				
		DRAWN	MI	23.11.95	DRG. REF.				
		CHECKED	JWD	23.11.95	REVISION:	RR	DATE	25-07-01	
		SCALE	1 : 5						