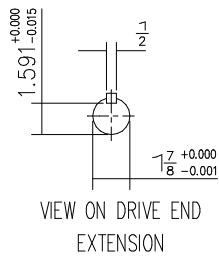
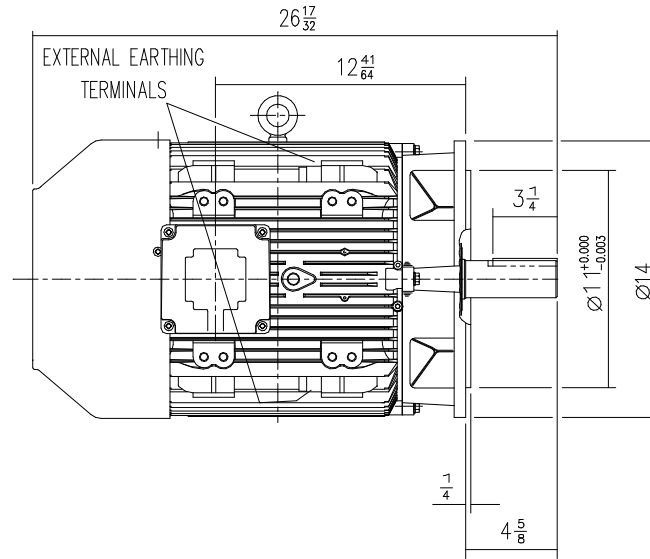
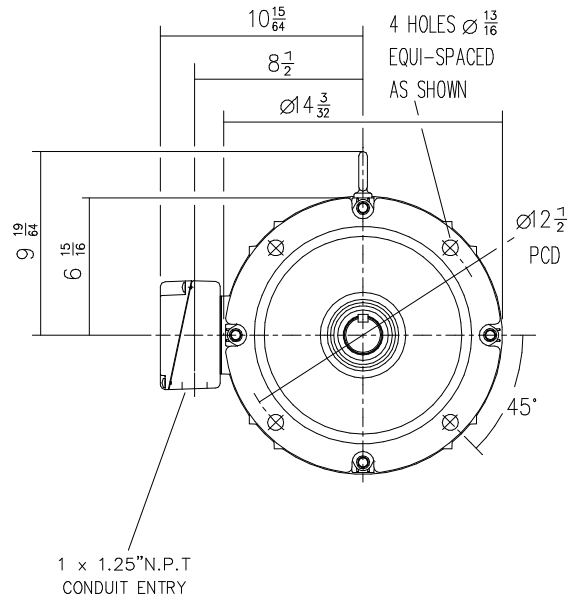


DRG. No. W35GH002/0
 DRG. REF.



DRAIN HOLES: - WHEN TERMINAL BOX IS MOVED FROM STANDARD POSITION THEY WILL NEED TO BE PLUGGED AND RE-LOCATED ELSEWHERE - IF REQUIRED.
 TERMINAL BOX POSITION: - CAN BE ARRANGED AT EITHER 9, 12, OR 3 O'CLOCK.
 STANDARD TERMINAL BOX POSITION IS 9 O'CLOCK AS SHOWN.
 CONDUIT ENTRIES: - TERMINAL BOX CAN BE ROTATED AT 90° INTERVALS.
 (CONDUIT ENTRY POSITION SHOWN FOR ILLUSTRATION ONLY).

| | | |
|-----------------|-------|------|
| CUSTOMER | | |
| ORDER No. | | |
| PART No. | | |
| OUR ORDER No. | | |
| FRAME SIZE | | |
| KW. | RPM. | |
| Hz | PHASE | |
| VOLTS | POLES | |
| BRGS. | DE. | NDE. |
| MOTOR NETT WT. | | Kg. |
| SPECIAL REMARKS | | |

ALL DIMENSIONS IN INCHES



**BROOK
CROMPTON**

Huddersfield, HD1 3LJ
ENGLAND

SHEET TITLE
 SIZE A3 OUTLINE DIMENSION DRAWING 'W' ALUMINIUM TOTALLY ENCLOSED FAN COOLED
 284/6T FRAME 'D' INCH FLANGE MOUNTED MOTOR

| | | |
|---------|------|----------|
| | NAME | DATE |
| DRAWN | RR | 27.07.01 |
| CHECKED | DH | 27.07.01 |
| SCALE | 1:6 | |

| | | |
|-----------|------------|------|
| DRG. No. | W35GH002/0 | |
| DRG. REF. | | |
| REVISION: | | DATE |