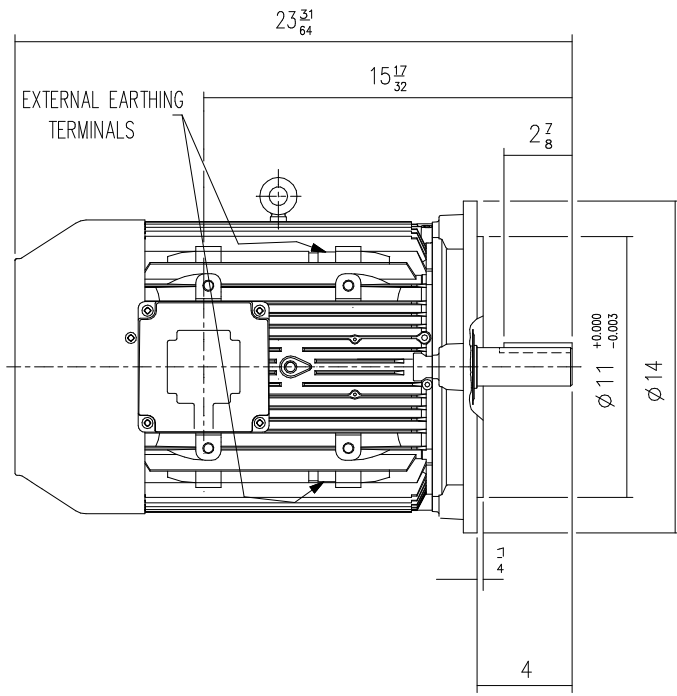
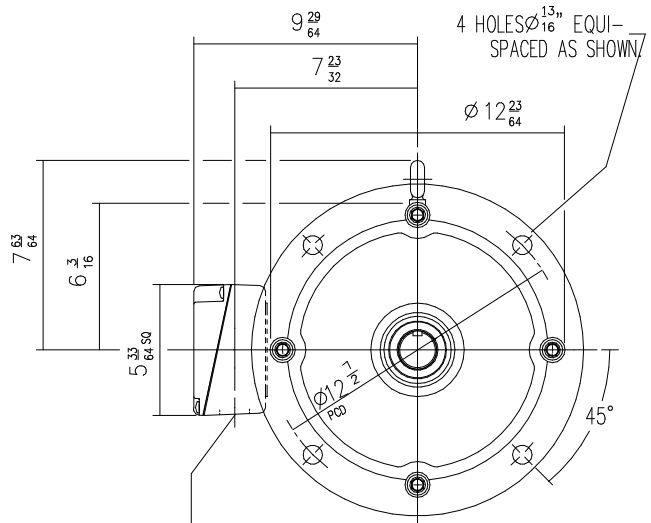
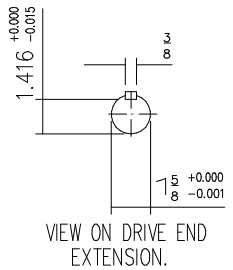


DRG. No. W34GH001/0
 DRG. REF.

CUSTOMER
 ORDER No.
 PART No.
 OUR ORDER No.
 FRAME SIZE
 KW. RPM.
 Hz PHASE
 VOLTS POLES
 BRGS. DE. NDE.
 MOTOR NETT WT. Kg.
 SPECIAL REMARKS



1 x 1.25" NPT
 CONDUIT ENTRY



DRAIN HOLES: - WHEN TERMINAL BOX IS MOVED FROM STANDARD POSITION THEY WILL NEED TO BE PLUGGED AND RE-LOCATED ELSEWHERE - IF REQUIRED.
 TERMINAL BOX POSITION: - CAN BE ARRANGED AT EITHER 9,12 OR 3 O'CLOCK.
 STANDARD TERMINAL BOX POSITION IS 9 O'CLOCK AS SHOWN.
 CONDUIT ENTRIES; - TERMINAL BOX CAN BE ROTATED AT 90° INTERVALS.
 (CONDUIT ENTRY POSITION SHOWN FOR ILLUSTRATION ONLY).

FIRST ANGLE
 PROJECTION

BROOK CROMPTON
 Huddersfield, HD1 3LJ
 ENGLAND

SHEET SIZE A3	TITLE OUTLINE DIMENSION DRAWING 'W' ALUMINIUM TOTALLY ENCLOSED FAN COOLED 254/6T FRAME 'D' INCH FLANGE MOUNTED MOTORS.	NAME	DATE	DRG. No.	W34GH001/0			
		DRAWN	RR	25-07-01	DRG. REF.			
		CHECKED	DH	25-07-01	REVISION:		DATE	
		SCALE	1 : 5					