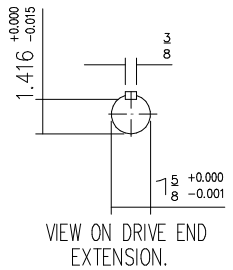
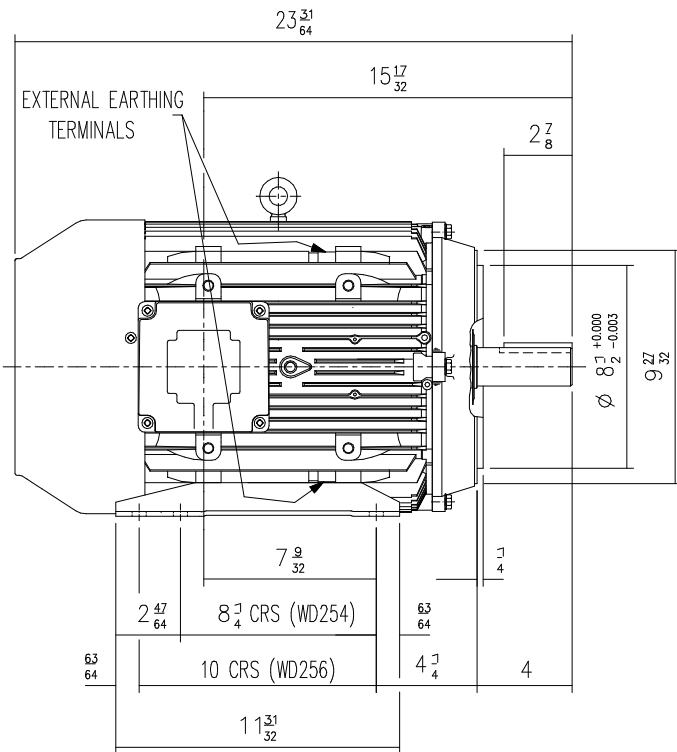
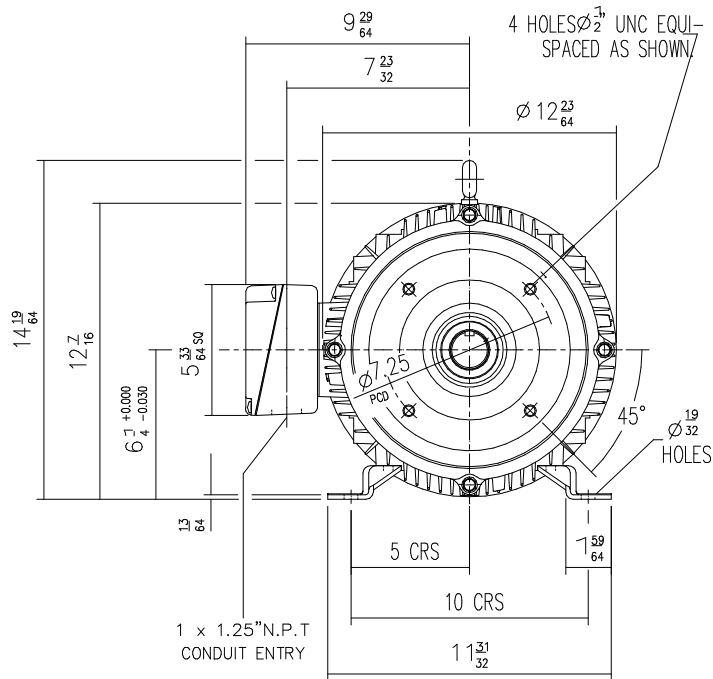


DRG. No. W34GE000/1  
 DRG. REF.

CUSTOMER  
 ORDER No.  
 PART No.  
 OUR ORDER No.  
 FRAME SIZE  
 KW. RPM.  
 Hz PHASE  
 VOLTS POLES  
 BRGS. DE. NDE.  
 MOTOR NETT WT. Kg.  
 SPECIAL REMARKS



DRAIN HOLES: - WHEN TERMINAL BOX IS MOVED FROM STANDARD POSITION THEY WILL NEED TO BE PLUGGED AND RE-LOCATED ELSEWHERE - IF REQUIRED.  
 TERMINAL BOX POSITION: - CAN BE ARRANGED AT EITHER 9,12 OR 3 O'CLOCK BY MOVING FEET  
 STANDARD TERMINAL BOX POSITION IS 9 O'CLOCK AS SHOWN.  
 CONDUIT ENTRIES; - TERMINAL BOX CAN BE ROTATED AT 90° INTERVALS.  
 (CONDUIT ENTRY POSITION SHOWN FOR ILLUSTRATION ONLY).

ALL DIMENSIONS IN INCHES.



**BROOK CROMPTON**  
 Huddersfield, HD1 3LJ  
 ENGLAND

SHEET SIZE **A3** TITLE OUTLINE DIMENSION DRAWING 'W' ALUMINIUM TOTALLY ENCLOSED FAN COOLED 254/6T FRAME 'C' INCH FACE WITH FEET MOUNTED MOTORS.

	NAME	DATE
DRAWN	MI	23.11.95
CHECKED	JWD	23.11.95
SCALE	1 : 5	

DRG. No.	W34GE000/1		
DRG. REF.			
REVISION:	RR	DATE	25-07-01