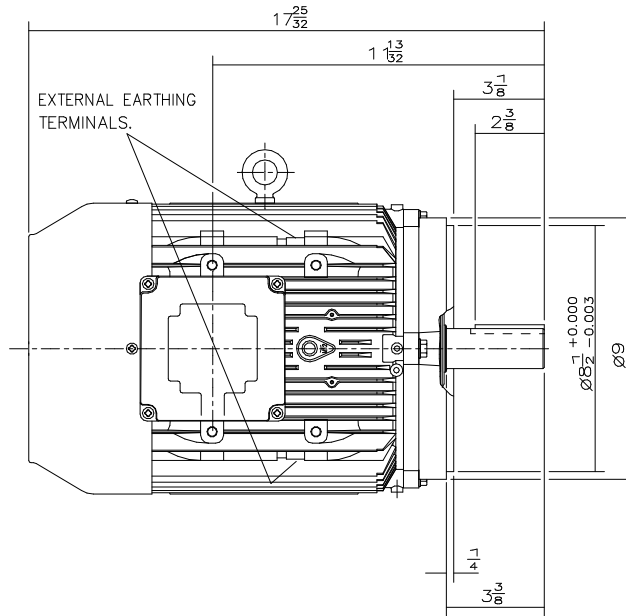
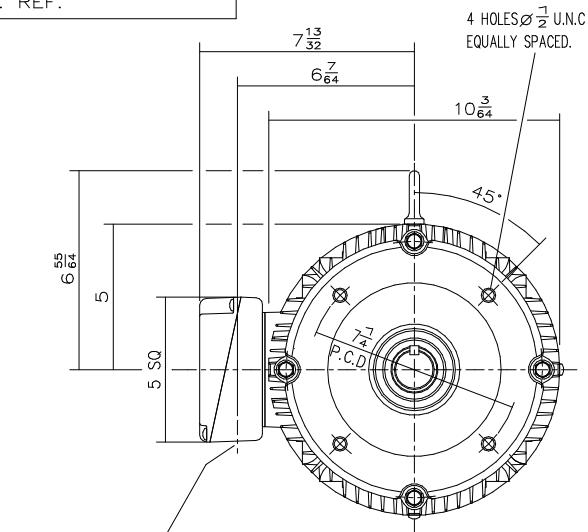
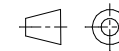


DRG. No. W33GE002/0
 DRG. REF.



CUSTOMER		
ORDER No.		
PART No.		
OUR ORDER No.		
FRAME SIZE		
KW.	RPM.	
Hz	PHASE	
VOLTS	POLES	
BRGS.	DE.	NDE.
MOTOR NETT WT.	Kg.	
SPECIAL REMARKS		

ALL DIMENSIONS IN INCHES.



FIRST ANGLE
PROJECTION

**BROOK
CROMPTON**

Huddersfield, HD1 3LJ
ENGLAND

TERMINAL BOX POSITION: - CAN BE ARRANGED EITHER AT 9,12 OR 3 O'CLOCK.
 STANDARD TERMINAL BOX POSITION IS 9 O'CLOCK AS SHOWN.
 CONDUIT ENTRIES: - TERMINAL BOX CAN BE ROTATED AT 90° INTERVALS
 (CONDUIT POSITION SHOWN FOR ILLUSTRATION ONLY).

SHEET
SIZE
A3

TITLE
OUTLINE DIMENSION DRAWING W ALUMINIUM TOTALLY ENCLOSED FAN COOLED
213/5T FRAME 'C' INCH FACE MOUNTED MOTORS.

	NAME	DATE
DRAWN	RR	24-07-01
CHECKED	DH	24-07-01
SCALE	1 : 4	

DRG. No.	W33GE002/0	
DRG. REF.		
REVISION:		DATE