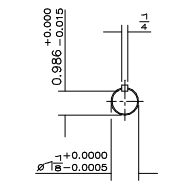
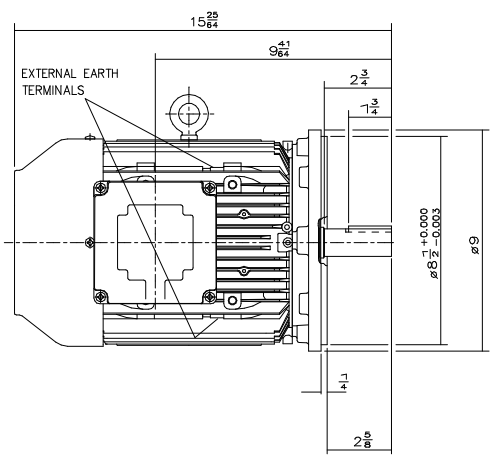
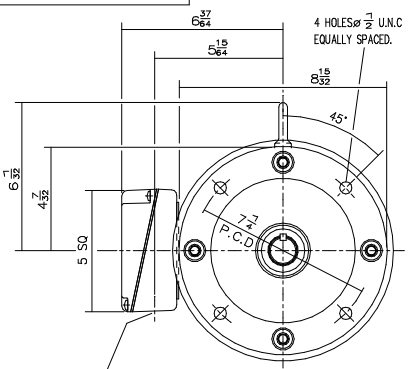


DRG. No. W32GE004/1
 DRG. REF.



VIEW ON END OF SHAFT

TERMINAL BOX POSITION: - CAN BE ARRANGED AT EITHER 9, 12 OR 3 O'CLOCK.
 STANDARD TERMINAL BOX POSITION IS 9 O'CLOCK AS SHOWN.
 CONDUIT ENTRIES: - TERMINAL BOX CAN BE ROTATED AT 90° INTERVALS.
 (CONDUIT ENTRY POSITION SHOWN FOR ILLUSTRATION ONLY).

CUSTOMER		
ORDER No.		
PART No.		
OUR ORDER No.		
FRAME SIZE		
KW.	RPM.	
Hz	PHASE	
VOLTS	POLES	
BRGS.	DE.	NDE.
MOTOR NETT WT.		Kg.
SPECIAL REMARKS		

ALL DIMENSIONS IN INCHES
 FIRST ANGLE PROJECTION

BROOK CROMPTON
 Huddersfield, HD1 3LJ
 ENGLAND

SHEET TITLE
 SIZE OUTLINE DIMENSION DRAWING 'W' ALUMINIUM TOTALLY ENCLOSED FAN COOLED
 A3 182/4T FRAME 'C' INCH FACE(8.5" SPIGOT) MOUNTED MOTOR.

	NAME	DATE
DRAWN	RR	24-07-01
CHECKED	DH	24-07-01
SCALE	1: 3.5	

DRG. No.	W32GE004/1		
DRG. REF.			
REVISION:	DH	DATE	07-03-02