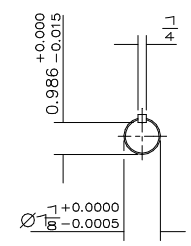
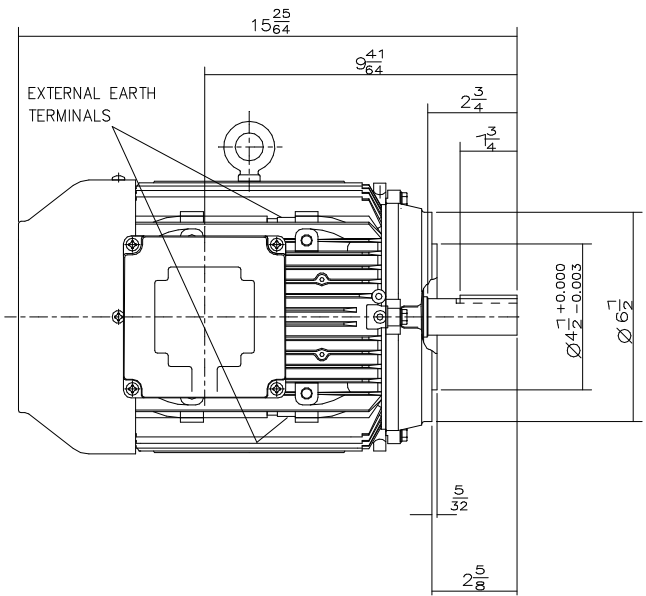
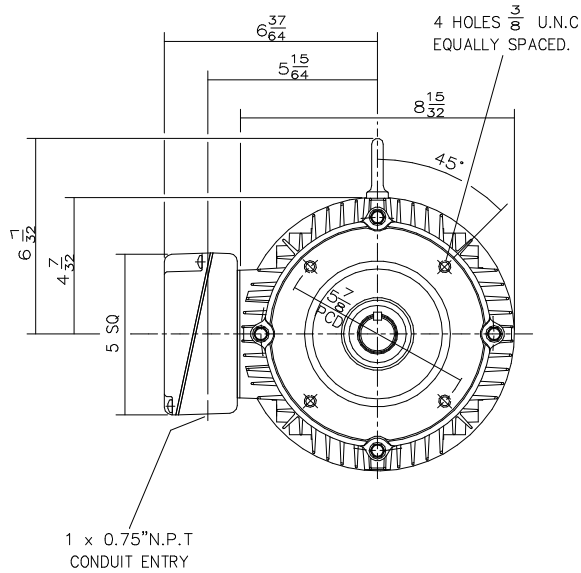


DRG. No. W32GE005/1  
 DRG. REF.



VIEW ON END OF SHAFT

TERMINAL BOX POSITION:- CAN BE ARRANGED AT EITHER 9, 12 OR 3 O'CLOCK.  
 STANDARD TERMINAL BOX POSITION IS 9 O'CLOCK AS SHOWN.  
 CONDUIT ENTRIES:- TERMINAL BOX CAN BE ROTATED AT 90° INTERVALS.  
 (CONDUIT ENTRY POSITION SHOWN FOR ILLUSTRATION ONLY).

|                 |       |      |
|-----------------|-------|------|
| CUSTOMER        |       |      |
| ORDER No.       |       |      |
| PART No.        |       |      |
| OUR ORDER No.   |       |      |
| FRAME SIZE      |       |      |
| KW.             | RPM.  |      |
| Hz              | PHASE |      |
| VOLTS           | POLES |      |
| BRGS.           | DE.   | NDE. |
| MOTOR NETT WT.  |       | Kg.  |
| SPECIAL REMARKS |       |      |

ALL DIMENSIONS IN INCHES



**BROOK CROMPTON**

Huddersfield, HD1 3LJ  
 ENGLAND

|                  |       |   |
|------------------|-------|---|
| SHEET SIZE<br>A3 | TITLE | OUTLINE DIMENSION DRAWING 'W' ALUMINIUM TOTALLY ENCLOSED FAN COOLED 182/4T FRAME 'C' INCH FACE (4.5" SPIGOT) MOUNTED MOTOR. |
|------------------|-------|---|

|         |        |          |
|---------|--------|----------|
|         | NAME   | DATE     |
| DRAWN   | RR     | 24-07-01 |
| CHECKED | DH     | 24-07-01 |
| SCALE   | 1: 3.5 |          |

|           |            |      |          |
|-----------|------------|------|----------|
| DRG. No.  | W32GE005/1 |      |          |
| DRG. REF. |            |      |          |
| REVISION: | DH         | DATE | 07-03-02 |