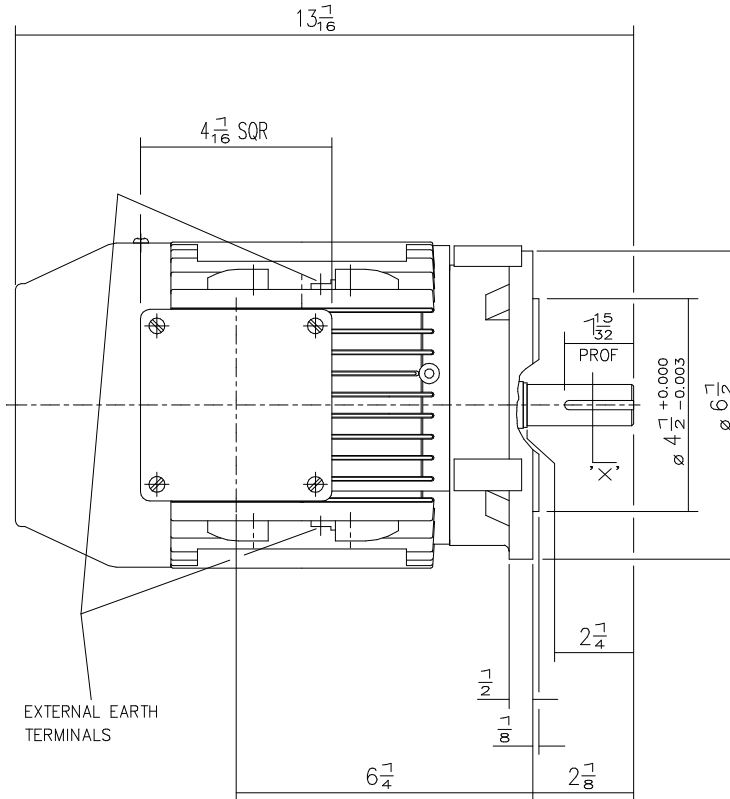
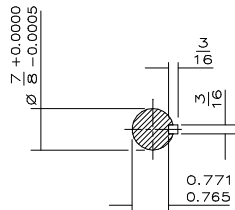
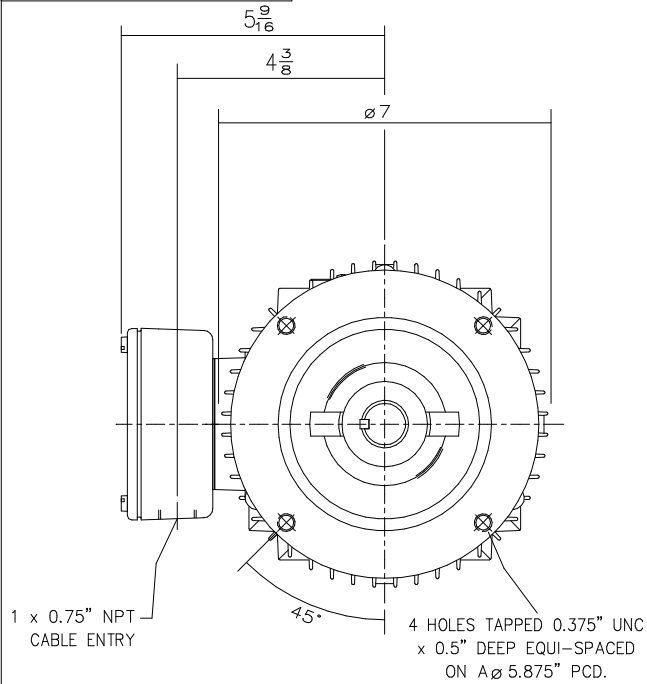


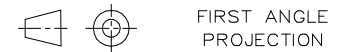
DRG. No. W31GE001/0

DRG. REF.



CUSTOMER		
ORDER No.		
PART No.		
OUR ORDER No.		
FRAME SIZE		
KW.	RPM.	
Hz	PHASE	
VOLTS	POLES	
BRGS.	DE.	NDE.
MOTOR NETT WT.	Kg.	
SPECIAL REMARKS		

(ALL DIMENSIONS IN INCHES)



BROOK CROMPTON

Huddersfield, HD1 3LJ ENGLAND

ALL DIMENSIONS IN INCHES.
TERMINAL BOX CAN BE ARRANGED IN 3 OR 12 O'CLOCK POSITIONS.
CONDUIT ENTRIES:- TERMINAL BOX CAN BE ROTATED AT 90° INTERVALS
(CONDUIT ENTRY POSITION SHOWN FOR ILLUSTRATION ONLY)

SHEET SIZE	TITLE
A3	OUTLINE DIMENSION DRAWING W ALUMINIUM TOTALLY ENCLOSED FAN COOLED 143/5 FRAME FACE MOUNTED MOTOR

	NAME	DATE
DRAWN	DRM	01-10-98
CHECKED	DJR	01-10-98
SCALE	1: 2.5	

DRG. No.	W31GE001/0		
DRG. REF.	-----		
REVISION:		DATE	