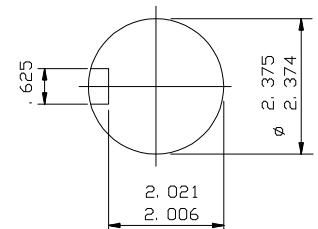
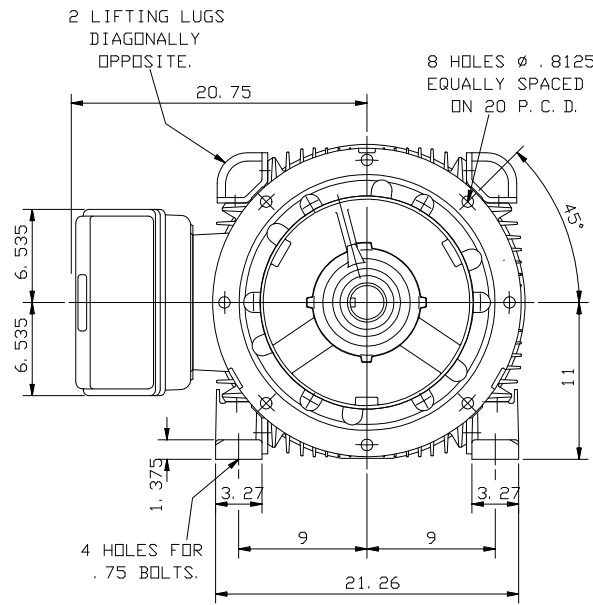


CABLE ENTRY
SCREWED 3" N. P. T



ENLARGED VIEW OF
SHAFT EXTENSION
(SCALE 1:2)

NOTE: -
TERMINAL BOX CAN BE TOP OR RIGHT
HAND SIDE MOUNTED BY REFITTING FEET
90° IN APPROPRIATE DIRECTION.
CABLE ENTRY CAN BE SUPPLIED IN
ANY ONE OF FOUR POSITIONS AT
90° INTERVALS.

CUSTOMER		
ORDER No.		
SERIAL No.		
FRAME SIZE		
HP	RPM.	
Hz	PHASE 3	
VOLTS	POLES	
BRGS.	DE.	NDE.
MOTOR NETT. WT.	Kg.	
INSULATION CLASS		
TEMPERATURE RISE °C		
DESIGN AMBIENT TEMPERATURE °C		
HEATER WATTS & VOLTS		VOLTS

REMARKS

BROOK CROMPTON
PRELIMINARY

Large Industrial Motors
Guiseley, LEEDS LS20 9NZ

ALL DIMENSIONS IN INCHES



BROOK CROMPTON

Large Industrial Motors
GUISELEY, LEEDS, LS20 9NZ.

NOTE 1
* ENDPLAY WILL BE PROVIDED FOR ENDTHRUST
PROTECTION WHEN CUSTOMERS NOTIFY US OF THEIR
INTENTION TO USE RIGID COUPLINGS AND DRIVEN
MACHINES WITHOUT ENDTPLAY.

OUTLINE DIMENSIONS OF STANDARD FOOT/D FLANGE MOUNTED INCH A. C.
MOTOR TO NEMA STD. MG1. TOTALLY ENCLOSED FAN COOLED.
FITTED WITH SIDE MOUNTED TERMINAL BOX.
FRAME SIZE: W-DF445TSD (2 POLE ONLY.)

SCALE	1:8	DATE
DRAWN	B. J. T.	23.2.94
CHECKED	B. J. T.	23.2.94
APPROVED	I. J. W.	23.2.94

DRG. No.	M9560	
REVISION:	A M. E. DATE	18. 1. 00