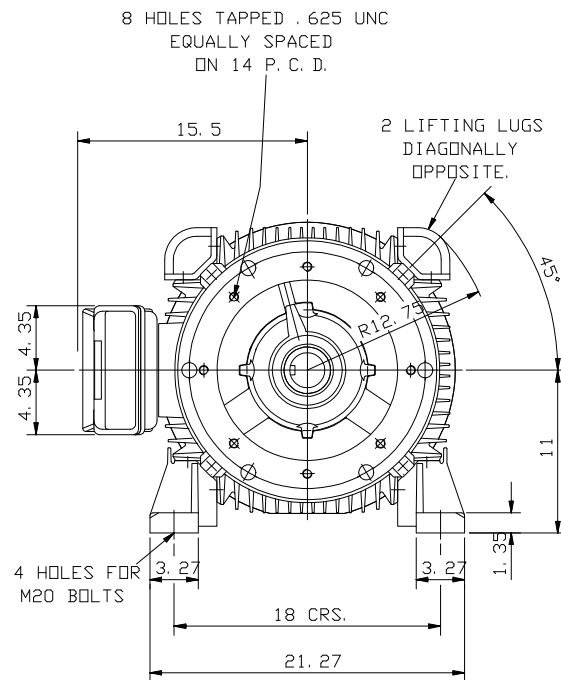


M10 EXTERNAL EARTH POSITION. (SHOWN DOTTED TO REAR OF TERMINAL BOX.)

MAINS CABLE ENTRY SCREWED 3" AMERICAN

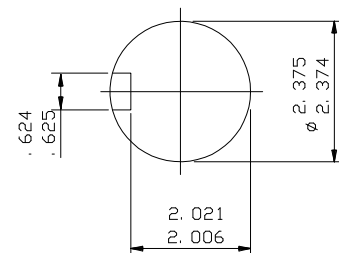
NOTE! TERMINAL BOX CAN BE TOP MOUNTED BY REFITTING FEET 90° IN APPROPRIATE DIRECTION. CABLE ENTRY CAN BE SUPPLIED IN ANY ONE OF FOUR POSITIONS AT 90° INTERVALS.



8 HOLES TAPPED .625 UNC EQUALLY SPACED DN 14 P. C. D.

2 LIFTING LUGS DIAGONALLY OPPOSITE.

4 HOLES FOR M20 BOLTS



ENLARGED VIEW OF SHAFT EXTENSION. (SCALE 1:2.)

| | | |
|----------------------------|---------|--------------|
| CUSTOMER | | |
| ORDER No. | | |
| SERIAL No. | | |
| FRAME SIZE | | |
| kW | RPM. | |
| Hz | PHASE 3 | |
| VOLTS | POLES | |
| BRGS. | DE. | NDE. |
| MOTOR NETT. WT. | | Kg. |
| INSULATION CLASS | | |
| TEMPERATURE RISE | | °C |
| DESIGN AMBIENT TEMPERATURE | | °C |
| HEATER WATTS & VOLTS | | WATTS, VOLTS |

REMARKS

FITTED WITH FLARED CABLE ENTRY.

BROOK CROMPTON
PRELIMINARY

Large Industrial Motors
Guiseley, LEEDS LS20 9NZ

ALL DIMENSIONS IN INCHES

THIRD ANGLE PROJECTION

BROOK CROMPTON

Large Industrial Motors
GUISELEY, LEEDS, LS20 9NZ.

NOTE 1
2.5 ENDPLAY WILL BE PROVIDED FOR ENDTHRUST PROTECTION WHEN CUSTOMERS NOTIFY US OF THEIR INTENTION TO USE RIGID COUPLINGS AND DRIVEN MACHINES WITHOUT ENDPLAY.

OUTLINE DIMENSIONS OF STANDARD FOOT/C FACE MOUNTED INCH A. C. MOTOR TO NEMA STANDARD MG1. TOTALLY ENCLOSED FAN COOLED. SIDE MOUNTED TERMINAL BOX. FRAME SIZE: W-DF444TC-E (2 POLE ONLY.)

| | | |
|----------|-------|--------|
| SCALE | 1:8 | DATE |
| DRAWN | M.E | 4.7.00 |
| CHECKED | J.M.L | 4.7.00 |
| APPROVED | J.M.L | 4.7.00 |

| | |
|-----------|--------|
| DRG. No. | M22070 |
| REVISION: | DATE |