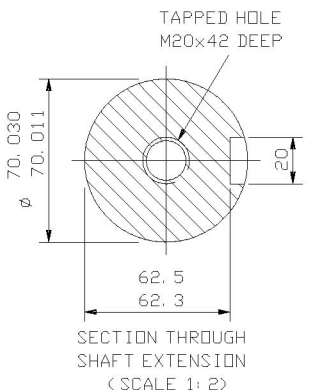
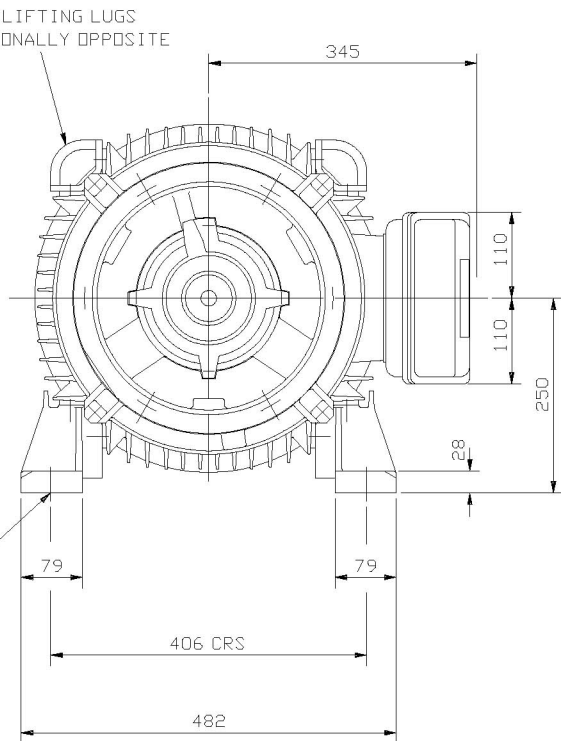
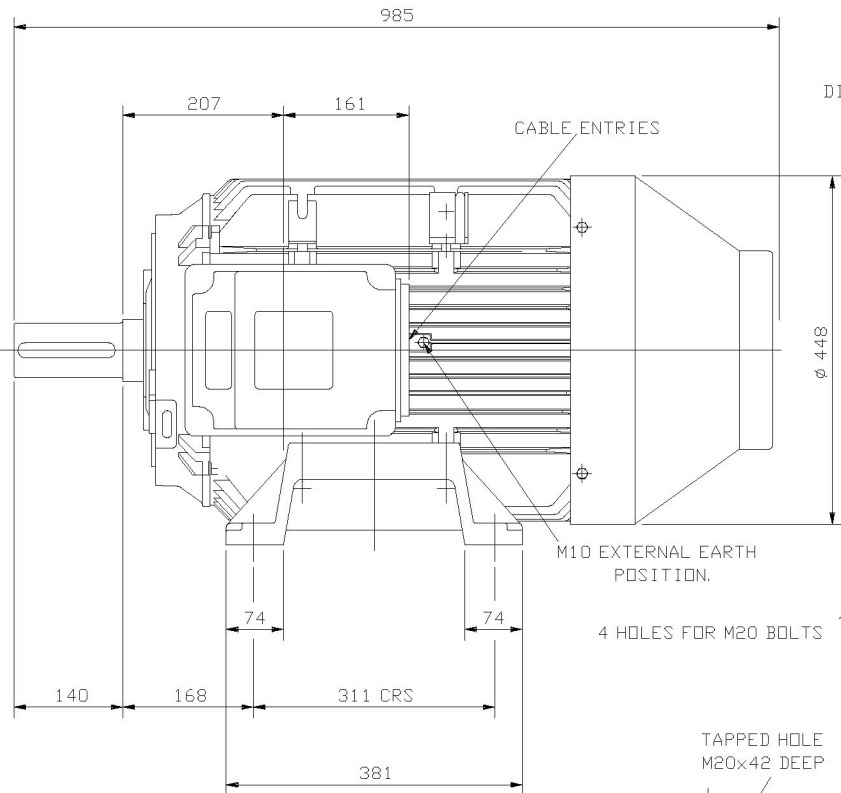


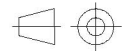
CUSTOMER		
ORDER No.		
SERIAL No.		
FRAME SIZE		
kw	RPM.	
Hz	PHASE 3	
VOLTS	POLES	
BRGS.	DE.	NDE.
MOTOR NETT. WT.	Kg.	
INSULATION CLASS		
TEMPERATURE RISE	° C	
DESIGN AMBIENT TEMPERATURE	° C	
HEATER WATTS & VOLTS		
	WATTS,	VOLTS

REMARKS



NOTE: -  
 TERMINAL BOX CAN BE SIDE MOUNTED  
 (LEFT OR RIGHT) BY REFITTING FEET  
 90° IN APPROPRIATE DIRECTION.  
 CABLE ENTRY CAN BE SUPPLIED IN  
 ANY ONE OF FOUR POSITIONS AT  
 90° INTERVALS.

ALL DIMENSIONS IN MILLIMETRES



FIRST ANGLE  
 PROJECTION

**BROOK  
 CROMPTON**

NOTE 1  
 2.5 ENDPLAY WILL BE PROVIDED FOR ENDTHRUST  
 PROTECTION WHEN CUSTOMERS NOTIFY US OF THEIR  
 INTENTION TO USE RIGID COUPLINGS AND DRIVEN  
 MACHINES WITHOUT ENDPLAY.

OUTLINE DIMENSIONS OF STANDARD FOOT MOUNTED METRIC A. C. MOTOR  
 TOTALLY ENCLOSED FAN VENTILATED.  
 WITH TERMINAL BOX MOUNTED ON R. H. S. LOOKING ON D. E.  
 FRAME SIZE : - W-DF250S (4 POLE UP)

SCALE	1: 6	DATE
DRAWN		
CHECKED		
APPROVED		

DRG. No.		
REVISION:		DATE