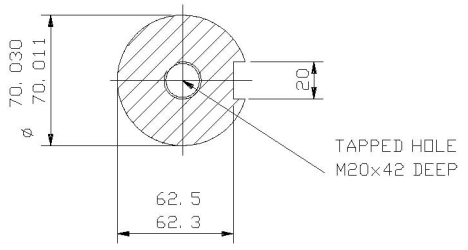
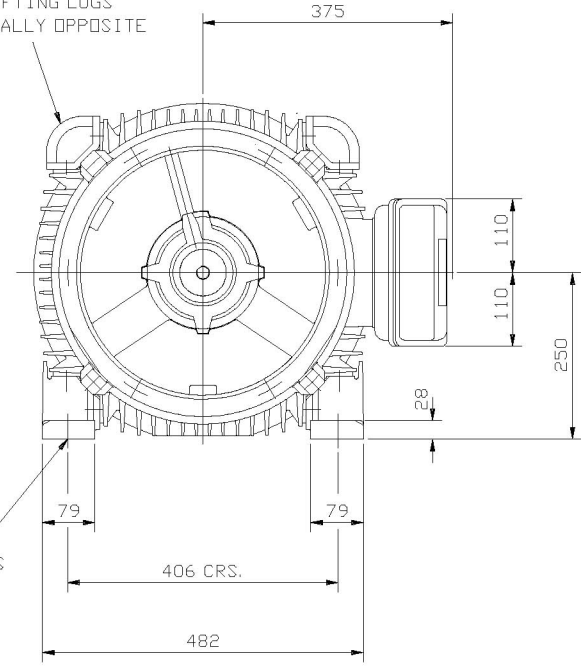


2 LIFTING LUGS
DIAGONALLY OPPOSITE



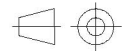
SECTION THROUGH
SHAFT EXTENSION
(SCALE 1: 2.5).

NOTE: - TERMINAL BOX CAN BE TOP OR SIDE
MOUNTED < LEFT OR RIGHT > BY REFITTING
FEET 90° IN APPROPRIATE DIRECTION.
CABLE ENTRY CAN BE SUPPLIED IN ANY ONE
OF FOUR POSITIONS AT 90° INTERVALS.

CUSTOMER		
ORDER No.		
SERIAL No.		
FRAME SIZE		
kw	RPM.	
Hz	PHASE 3	
VOLTS	POLES	
BRGS.	DE.	NDE.
MOTOR NETT. WT.	Kg.	
INSULATION CLASS		
TEMPERATURE RISE	° C	
DESIGN AMBIENT TEMPERATURE	° C	
HEATER WATTS & VOLTS		
	WATTS,	VOLTS

REMARKS

ALL DIMENSIONS IN MILLIMETRES



FIRST ANGLE
PROJECTION

**BROOK
CROMPTON**

NOTE 1
2.5 ENDPLAY WILL BE PROVIDED FOR ENDTHRUST
PROTECTION WHEN CUSTOMERS NOTIFY US OF THEIR
INTENTION TO USE RIGID COUPLINGS AND DRIVEN
MACHINES WITHOUT ENDPLAY.

OUTLINE DIMENSIONS OF STANDARD FOOT MOUNTED METRIC A. C. MOTOR
TOTALLY ENCLOSED FAN VENTILATED.
WITH TERMINAL BOX MOUNTED ON R. H. S. LOOKING ON D. E.
FRAME SIZE : - W-DF250M (4 POLE UP)

SCALE	1:1	DATE
DRAWN		
CHECKED		
APPROVED		

DRG. No.		
REVISION:		DATE