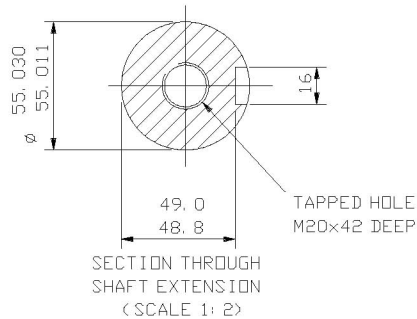
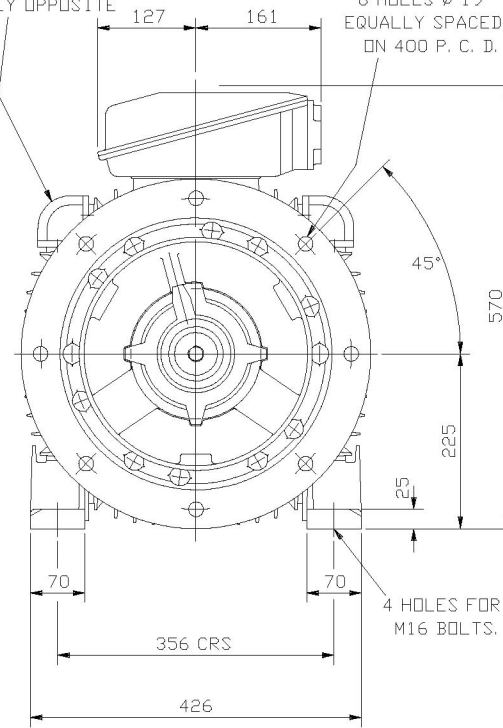


2 LIFTING LUGS  
DIAGONALLY OPPOSITE

8 HOLES  $\varnothing 19$   
EQUALLY SPACED  
ON 400 P. C. D.



NOTE: -  
TERMINAL BOX CAN BE SIDE MOUNTED  
(LEFT OR RIGHT) BY REFITTING FEET  
90° IN APPROPRIATE DIRECTION.  
CABLE ENTRY CAN BE SUPPLIED IN  
ANY ONE OF FOUR POSITIONS AT  
90° INTERVALS.

CUSTOMER			
ORDER No.			
SERIAL No.			
FRAME SIZE			
kW		RPM.	
Hz		PHASE 3	
VOLTS		POLES	
BRGS.		DE.	NDE.
MOTOR NETT. WT.			Kg.
INSULATION CLASS			
TEMPERATURE RISE		°C	
DESIGN AMBIENT TEMPERATURE		°C	
HEATER WATTS & VOLTS		WATTS,	VOLTS.

REMARKS

ALL DIMENSIONS IN MILLIMETRES



**BROOK  
CROMPTON**

NOTE 1  
2.5 ENDPLAY WILL BE PROVIDED FOR ENDTHRUST  
PROTECTION WHEN CUSTOMERS NOTIFY US OF THEIR  
INTENTION TO USE RIGID COUPLINGS AND DRIVEN  
MACHINES WITHOUT ENDPLAY.

OUTLINE DIMENSIONS OF STD. FOOT/FLANGE MOUNTED METRIC A. C. MOTOR  
TOTALLY ENCLOSED FAN VENTILATED.  
FRAME SIZE : - W-DF225M-H (2 POLE)

SCALE	1:6	DATE	
DRAWN			
CHECKED			
APPROVED			

DRG. No.			
REVISION:		DATE	