

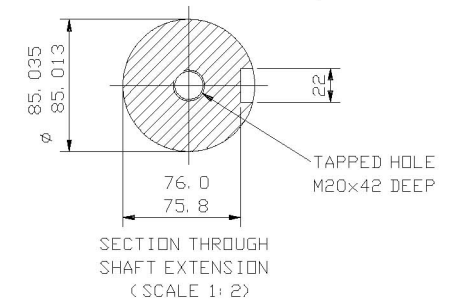
8 HOLES  $\varnothing$  24  
EQUALLY SPACED  
ON 600 P. C. D.

CUSTOMER		
ORDER No.		
SERIAL No.		
FRAME SIZE		
kW	RPM.	
Hz	PHASE 3	
VOLTS	POLES	
BRGS.	DE.	NDE.
MOTOR NETT. WT.		Kg.
INSULATION CLASS		
TEMPERATURE RISE		$^{\circ}$ C
DESIGN AMBIENT TEMPERATURE		$^{\circ}$ C
HEATER WATTS & VOLTS		
WATTS,		VOLTS

REMARKS		
ALL DIMENSIONS IN MILLIMETRES		



# BROOK CROMPTON



NOTE: -  
TERMINAL BOX CAN BE SIDE MOUNTED  
(LEFT OR RIGHT) BY REFITTING FET  
90 $^{\circ}$  IN APPROPRIATE DIRECTION.  
CABLE ENTRY CAN BE SUPPLIED IN  
ANY ONE OF FOUR POSITIONS AT  
90 $^{\circ}$  INTERVALS.

NOTE 1  
2.5 ENDPLAY WILL BE PROVIDED FOR ENDTHRUST  
PROTECTION WHEN CUSTOMERS NOTIFY US OF THEIR  
INTENTION TO USE RIGID COUPLINGS AND DRIVEN  
MACHINES WITHOUT ENDPLAY.

OUTLINE DIMENSIONS OF STD. FOOT/FLANGE MOUNTED METRIC A. C. MOTOR  
TOTALLY ENCLOSED FAN VENTILATED.  
FITTED WITH TOP MOUNTED TERMINAL BOX  
FRAME SIZE : - W-DF315M-H (4 POLE UP)

SCALE	1/8	DATE
DRAWN		
CHECKED		
APPROVED		

DRG. No.	
REVISION:	
DATE	