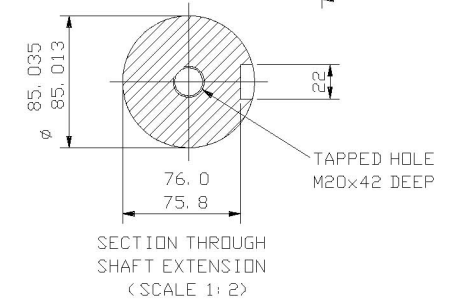


8 HOLES ϕ 24
EQUALLY SPACED
ON 600 P. C. D.

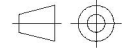


CUSTOMER		
ORDER No.		
SERIAL No.		
FRAME SIZE		
kW	RPM.	
Hz	PHASE 3	
VOLTS	POLES	
BRGS.	DE.	NDE.
MOTOR NETT. WT.		Kg.
INSULATION CLASS		
TEMPERATURE RISE		°C
DESIGN AMBIENT TEMPERATURE		°C
HEATER WATTS & VOLTS		
WATTS,		VOLTS

REMARKS		

NOTE: -
TERMINAL BOX CAN BE SIDE MOUNTED
(LEFT OR RIGHT) BY REFITTING FEET
90° IN APPROPRIATE DIRECTION.
CABLE ENTRY CAN BE SUPPLIED IN
ANY ONE OF FOUR POSITIONS AT
90° INTERVALS.

ALL DIMENSIONS IN MILLIMETRES



FIRST ANGLE
PROJECTION

**BROOK
CROMPTON**

NOTE 1
2.5 ENDPLOY WILL BE PROVIDED FOR ENDTHRUST
PROTECTION WHEN CUSTOMERS NOTIFY US OF THEIR
INTENTION TO USE RIGID COUPLINGS AND DRIVEN
MACHINES WITHOUT ENDPLOY.

OUTLINE DIMENSIONS OF STD. FOOT/FLANGE MOUNTED METRIC A. C. MOTOR
TOTALLY ENCLOSED FAN VENTILATED.
FITTED WITH TOP MOUNTED TERMINAL BOX
FRAME SIZE : - W-DF315L-H (4 POLE UP)

SCALE	1:8	DATE
DRAWN		
CHECKED		
APPROVED		

DRG. No.	
REVISION:	
DATE	