

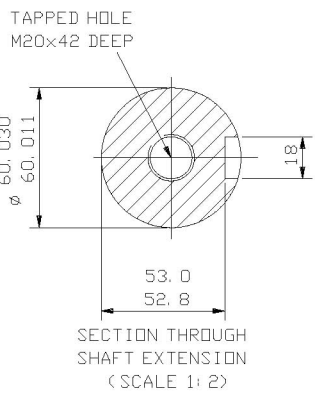
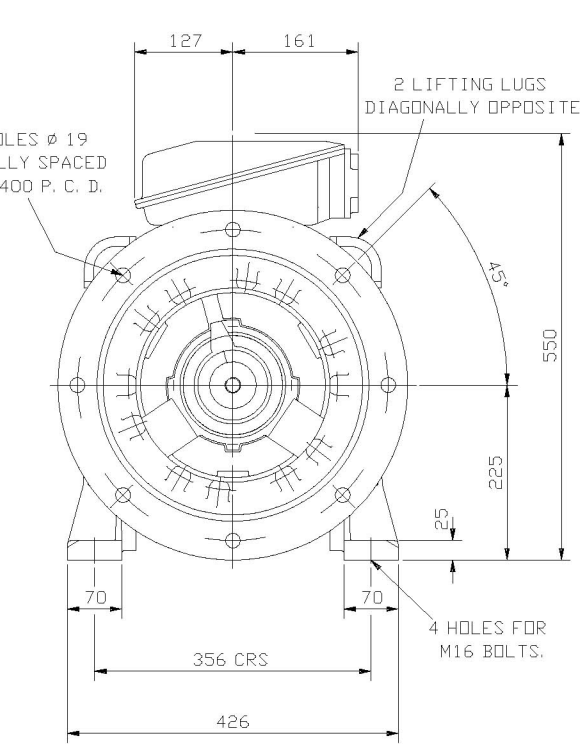
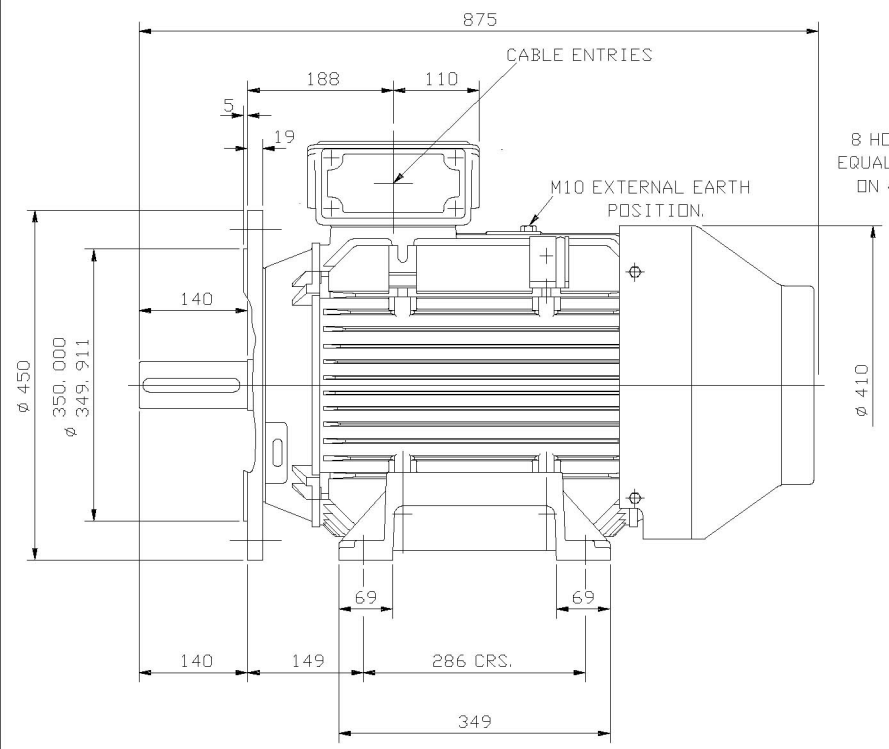
CUSTOMER		
ORDER No.		
SERIAL No.		
FRAME SIZE		
kW	RPM.	
Hz	PHASE 3	
VOLTS	POLES	
BRGS.	DE.	NDE.
MOTOR NETT. WT.		Kg.
INSULATION CLASS		
TEMPERATURE RISE		°C
DESIGN AMBIENT TEMPERATURE		°C
HEATER WATTS & VOLTS		
WATTS,		VOLTS

REMARKS

ALL DIMENSIONS IN MILLIMETRES

FIRST ANGLE PROJECTION

BROOK CROMPTON



NOTE: -
 TERMINAL BOX CAN BE SIDE MOUNTED
 (LEFT OR RIGHT) BY REFITTING FEET
 90° IN APPROPRIATE DIRECTION.
 CABLE ENTRY CAN BE SUPPLIED IN
 ANY ONE OF FOUR POSITIONS AT
 90° INTERVALS.

NOTE 1
 2.5 ENDFLAY WILL BE PROVIDED FOR ENDFTHRUST PROTECTION WHEN CUSTOMERS NOTIFY US OF THEIR INTENTION TO USE RIGID COUPLINGS AND DRIVEN MACHINES WITHOUT ENDFLAY.

OUTLINE DIMENSIONS OF STANDARD FOOT/FLANGE MOUNTED METRIC
 TOTALLY ENCLOSED FAN VENTILATED.
 FRAME SIZE : - W-DF225S-H (4 POLE UP)

SCALE	1:6	DATE
DRAWN		
CHECKED		
APPROVED		

DRG. No.	
REVISION:	
DATE	