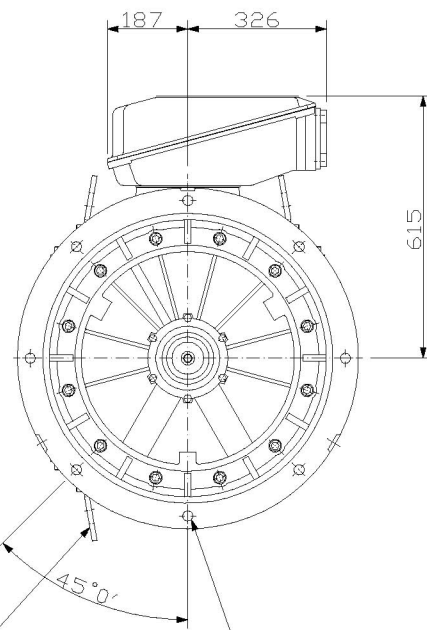
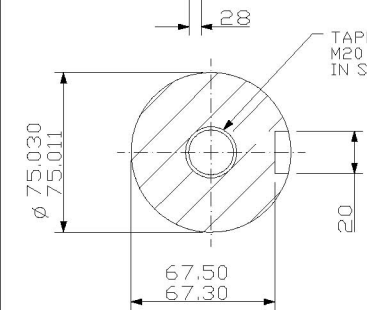


NOTE!  
CABLE ENTRY CAN BE SUPPLIED  
IN ANY, ONE OF FOUR POSITIONS  
AT 90° INTERVALS.



THIS LIFTING LUG FITTED  
ONLY WHEN MOTOR IS  
VERTICALLY MOUNTED.

8 HOLES  $\phi 24$   
EQUALLY SPACED  
ON 740 PCD.



SECTION THROUGH  
SHAFT EXTENSION.

NOTE!  
STANDARD MACHINES ARE ARRANGED FOR HORIZONTAL OVERHUNG MOUNTING.  
CUSTOMERS SHOULD NOTIFY US WHEN ORDERING IF VERTICAL MOUNTING IS  
REQUIRED. IF VERTICAL, THE MOTOR THRUST BEARING MUST NOT BE ALLOWED  
TO TAKE ANY LOAD OTHER THAN THE WEIGHT OF THE ROTOR WITHOUT OUR APPROVAL.

CUSTOMER		
ORDER No.		
SERIAL No.		
FRAME SIZE		
Kw	R.P.M.	
Hz	PHASE 3	
VOLTS	POLES	
BRGS.	D.E	N.D.E
MOTOR NETT. WT.		Kg.
INSULATION CLASS		
TEMPERATURE RISE		° C
DESIGN AMBIENT TEMPERATURE		° C
HEATER WATTS & VOLTS (IF FITTED)		
- WATTS,		- VOLTS

REMARKS

ALL DIMENSIONS IN MILLIMETRES



**BROOK  
CROMPTON**

NOTE!  
2.5 ENDPLAY WILL BE PROVIDED FOR ENDTHRUST  
PROTECTION WHEN CUSTOMERS NOTIFY US OF THEIR  
INTENTION TO USE RIGID COUPLINGS AND DRIVEN  
MACHINES WITHOUT ENDPLAY.

OUTLINE DIMENSIONS OF STANDARD FLANGE MOUNTED  
METRIC A.C. MOTOR  
TOTALLY ENCLOSED FAN VENTILATED.  
FRAME SIZE:- W-DF355S-D 2-POLE ONLY.

SCALE	1:10	DATE
DRAWN		
CHECKED		
APPROVED		

DRG. No.	
REVISION:	DATE