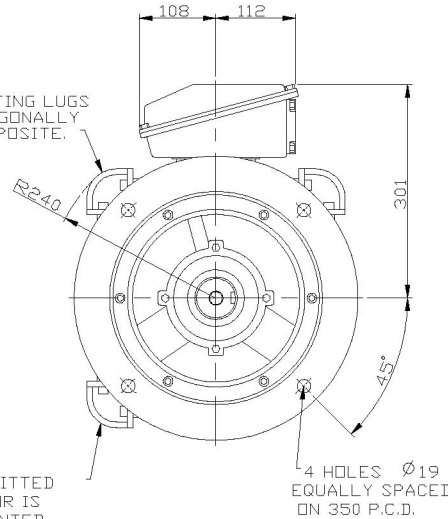


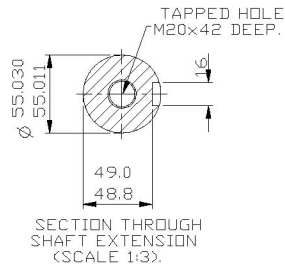
2 LIFTING LUGS
DIAGONALLY
OPPOSITE.



THIS LIFTING LUG FITTED
ONLY WHEN MOTOR IS
VERTICALLY MOUNTED.

NOTE:-
CABLE ENTRY CAN BE
SUPPLIED IN ANY ONE OF FOUR
POSITIONS AT 90 ° INTERVALS.

NOTE:-
STANDARD MACHINES ARE ARRANGED FOR HORIZONTAL OVERHUNG MOUNTING.
CUSTOMERS SHOULD NOTIFY US WHEN ORDERING IF VERTICAL MOUNTING
IS REQUIRED. IF VERTICAL, THE MOTOR THRUST BEARING MUST NOT BE
ALLOWED TO TAKE ANY LOAD OTHER THAN THE WEIGHT OF THE ROTOR
WITHOUT OUR APPROVAL.



SECTION THROUGH
SHAFT EXTENSION
(SCALE 1:3).

| | | |
|----------------------------------|---------|-------|
| CUSTOMER | | |
| ORDER No. | | |
| SERIAL No. | | |
| FRAME SIZE | | |
| Kw | R.P.M. | |
| Hz | PHASE 3 | |
| VOLTS | POLES | |
| BRGS. | D.E | N.D.E |
| MOTOR NETT. WT. | | Kg. |
| INSULATION CLASS | | |
| TEMPERATURE RISE ° C | | |
| DESIGN AMBIENT TEMPERATURE ° C | | |
| HEATER WATTS & VOLTS (IF FITTED) | | |
| - WATTS, - VOLTS | | |

REMARKS

ALL DIMENSIONS IN MILLIMETRES



**BROOK
CROMPTON**

NOTE1
2.5 ENDPLAY WILL BE PROVIDED FOR ENDTHRUST
PROTECTION WHEN CUSTOMERS NOTIFY US OF THEIR
INTENTION TO USE RIGID COUPLINGS AND DRIVEN
MACHINES WITHOUT ENDPLAY.

OUTLINE DIMENSIONS OF STANDARD FLANGE MOUNTED METRIC A.C.
TOTALLY ENCLOSED FAN VENTILATED.
F FRAME SIZE: W-DF200LX-D (ALL POLES).

| | | |
|----------|-----|------|
| SCALE | 1:6 | DATE |
| DRAWN | | |
| CHECKED | | |
| APPROVED | | |

DRG. No.

REVISION: DATE