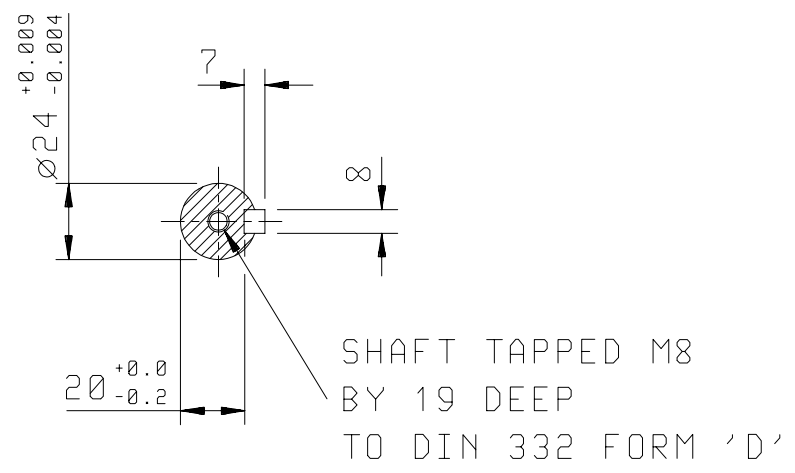


DRG. No. K91GD001/0
 DRG. REF.

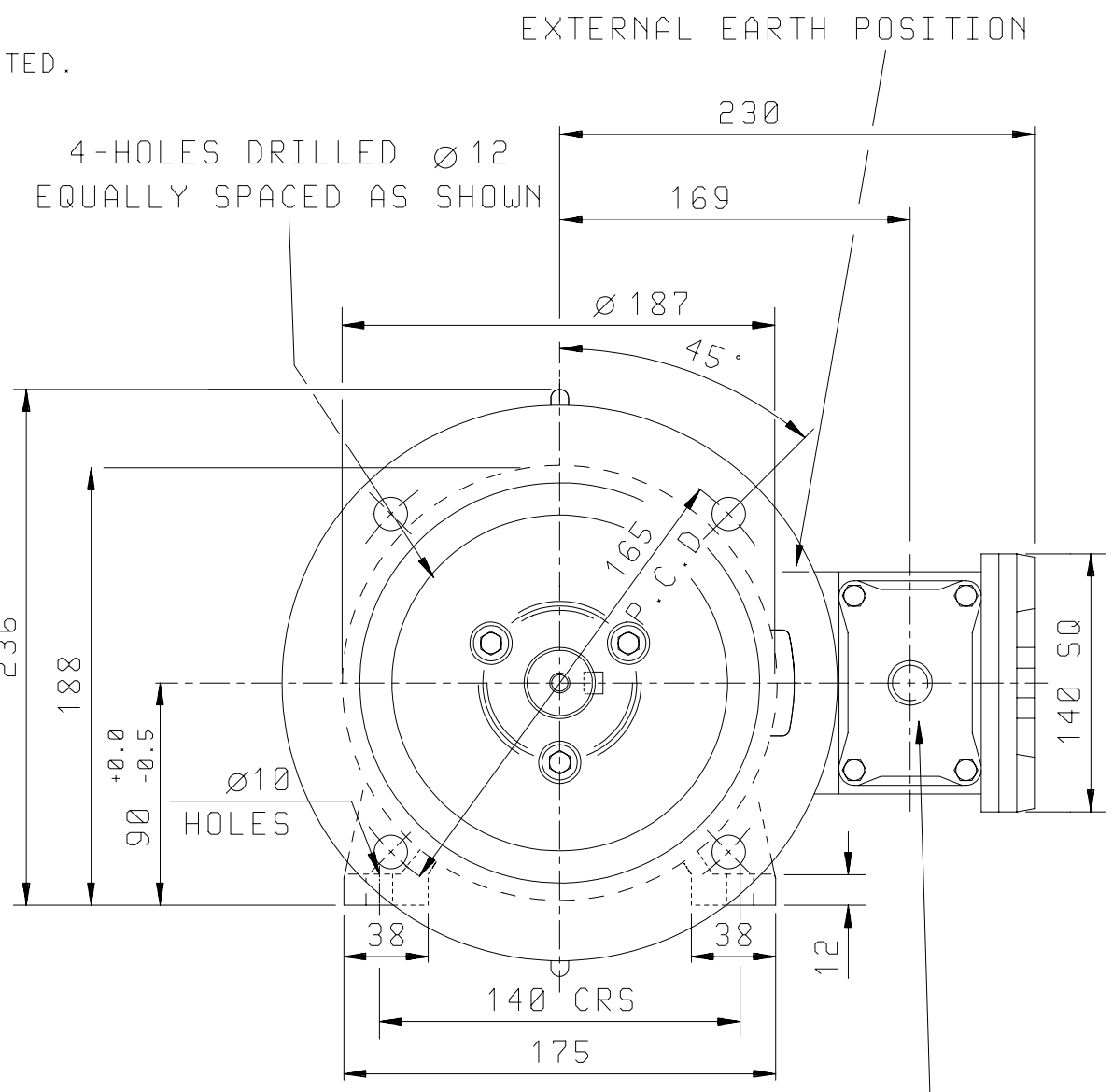
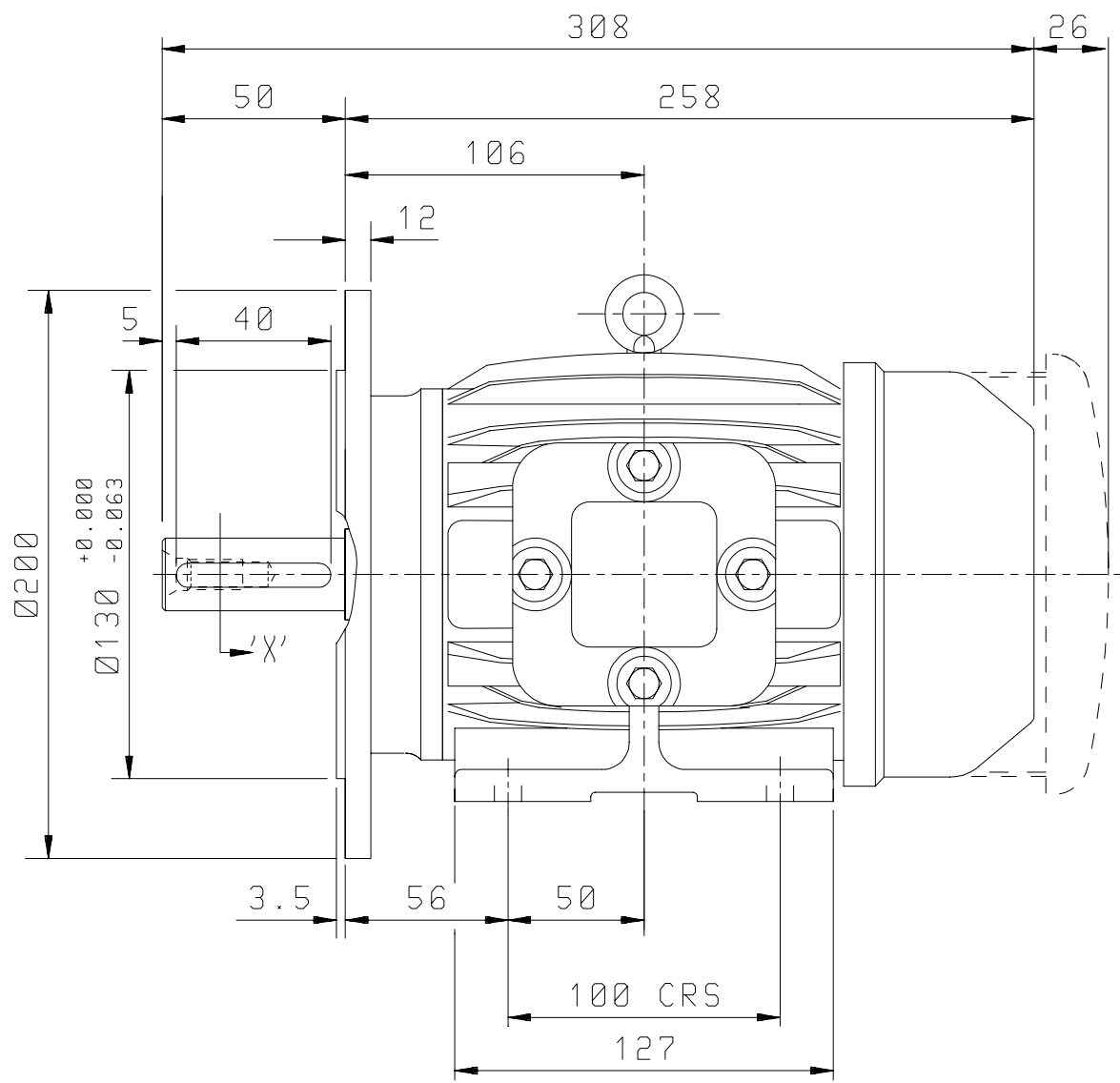


SECTION ON 'X'

DRIP-PROOF COWL FITTED ON ALL VERTICAL SHAFT DOWN MOTORS & ALL MOTORS WITH CAST IRON FAN COVERS, OR WHEN REQUESTED.

CABLE ENTRY POSITION SHOWN IS FOR ILLUSTRATION ONLY, TERMINAL BOX CAN BE ROTATED THROUGH 90° INTERVALS.

NOTE!! ON E90S/L THE TERMINAL BOX POSITION IS NOT AS SHOWN BUT IS OFFSET 12.7mm ABOVE THE Q OF THE MOTOR.



1- CONDUIT ENTRY TAPPED M20 TO SUIT COMPRESSION GLAND

CUSTOMER		
ORDER No.		
PART No.		
OUR ORDER No.		
FRAME SIZE		
KW.	RPM.	
Hz	PHASE	
VOLTS	POLES	
BRGS.	DE.	NDE.
MOTOR NETT WT.		Kg.
SPECIAL REMARKS		

ALL DIMENSIONS IN MILLIMETRES.



BROOK CROMPTON
 Huddersfield, HD1 3LJ
 ENGLAND

SHEET SIZE A3	TITLE	OUTLINE DIMENSION DRAWING 'W' FLAMEPROOF TOTALLY ENCLOSED FAN COOLED EExd 90S FRAME FOOT & FLANGE MOUNTED MOTOR GROUPS IIA & IIB
	DRAWN	UVR 18-11-03
	CHECKED	DH 18-11-03
	SCALE	N.T.S

NAME	DATE	DRG. No.	K91GD001/0
UVR	18-11-03	DRG. REF.	
DH	18-11-03	REVISION:	
		DATE	