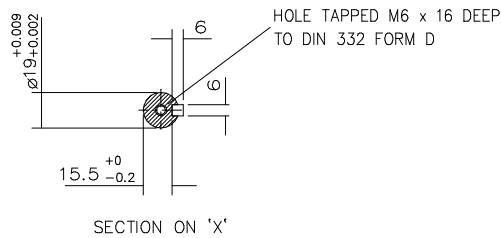
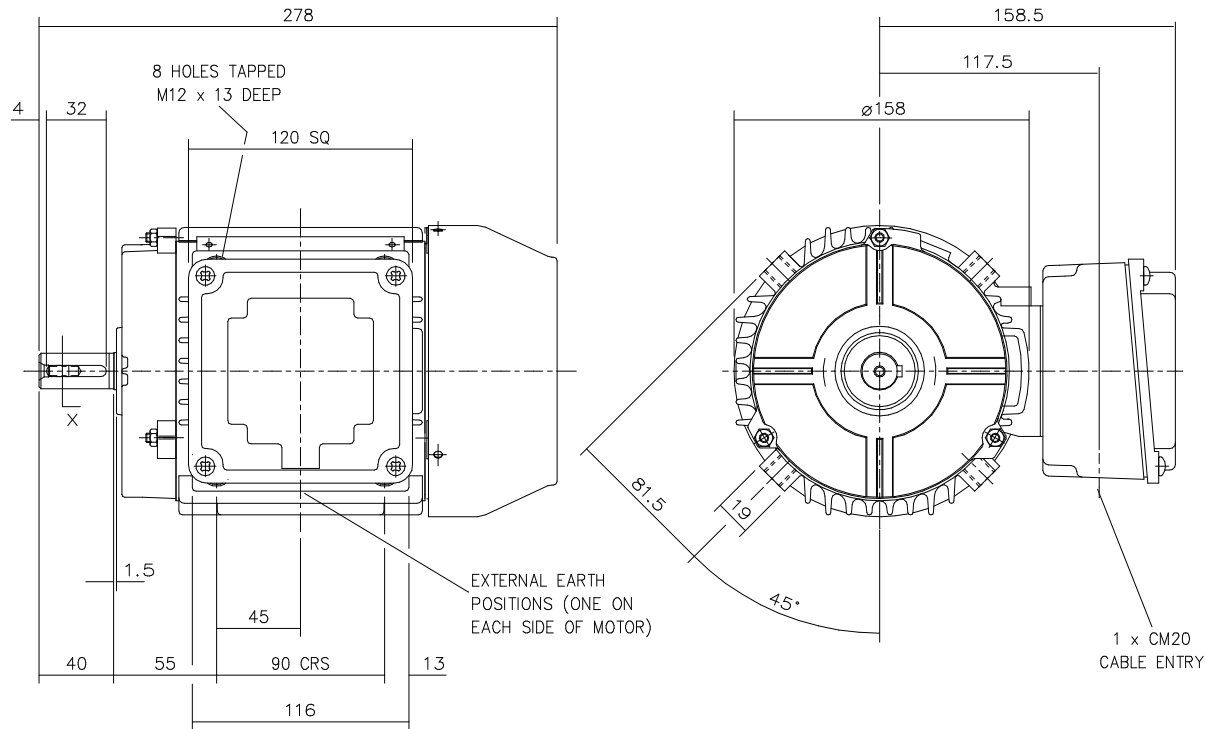
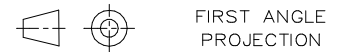


DRG. No. F80GP002/1  
 DRG. REF.



CUSTOMER		
ORDER No.		
PART No.		
OUR ORDER No.		
FRAME SIZE		
KW.	RPM.	
Hz	PHASE	
VOLTS	POLES	
BRGS.	DE.	NDE.
MOTOR NETT WT.	Kg.	
SPECIAL REMARKS		

ALL DIMENSIONS IN MILLIMETRES.



**BROOK CROMPTON**

Huddersfield, HD1 3LJ  
 ENGLAND

STANDARD TERMINAL BOX POSITION IS 3 O'CLOCK AS SHOWN  
 CONDUIT ENTRIES: - TERMINAL BOX CAN BE ROTATED AT 90° INTERVALS  
 (CONDUIT ENTRY POSITION SHOWN FOR ILLUSTRATION ONLY)

SHEET TITLE  
 SIZE A3 OUTLINE DIMENSION DRAWING NEW DESIGN CAST IRON TOTALLY ENCLOSED  
 FAN COOLED 80 FRAME PAD MOUNTED MOTOR

	NAME	DATE
DRAWN	VLS	07-08-01
CHECKED	RR	07-08-01
SCALE	1: 2.5	

DRG. No.	F80GP002/1		
DRG. REF.			
REVISION:	RR	DATE	19/04/02