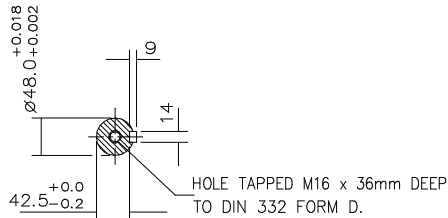
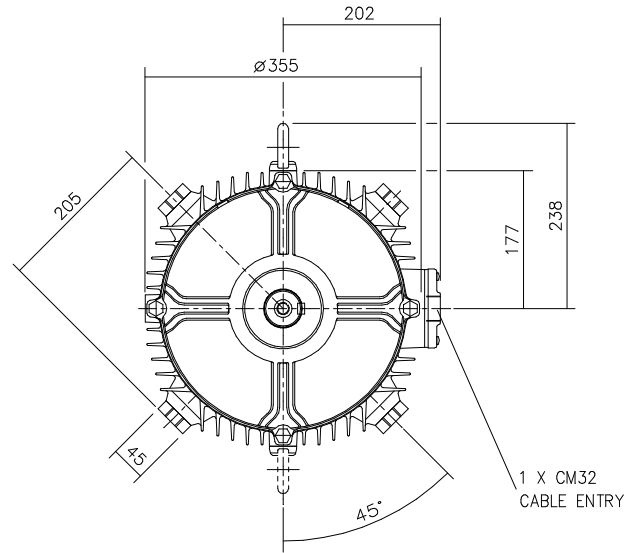
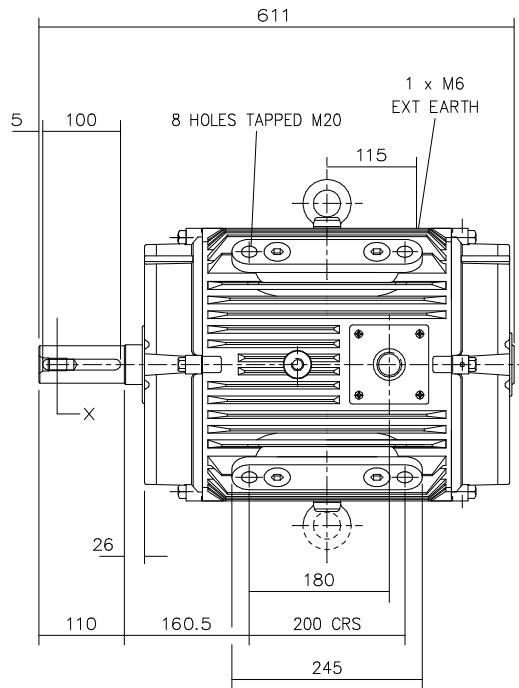


DRG. No. Y30GP003/1
 DRG. REF.



SECTION ON 'X'

DRAIN HOLES:- WHEN TERMINAL PLATE IS MOVED FROM STANDARD POSITION THEY WILL NEED TO BE PLUGGED AND RE-LOCATED ELSEWHERE - IF REQUIRED
 TERMINAL PLATE POSITION : - CAN BE ARRANGED AT EITHER 9, 12 OR 3 O'CLOCK.
 STANDARD TERMINAL PLATE POSITION IS 3 O'CLOCK AS SHOWN.
 (CONDUIT ENTRY POSITION SHOWN FOR ILLUSTRATION ONLY).

CUSTOMER		
ORDER No.		
PART No.		
OUR ORDER No.		
FRAME SIZE		
KW.	RPM.	
Hz	PHASE	
VOLTS	POLES	
BRGS.	DE.	NDE.
MOTOR NETT WT.		Kg.
SPECIAL REMARKS		

ALL DIMENSIONS IN MILLIMETRES.



BROOK CROMPTON

Huddersfield, HD1 3LJ
 ENGLAND

SHEET SIZE A3 TITLE OUTLINE DIMENSION DRAWING W CAST IRON TOTALLY ENCLOSED NO FAN 180M/L FRAME PAD MOUNTED MOTOR.

	NAME	DATE
DRAWN	RR	10-01-02
CHECKED	DH	10-01-02
SCALE	1 : 6	

DRG. No.	Y30GP003/1		
DRG. REF.			
REVISION:	VLS	DATE	16-07-02