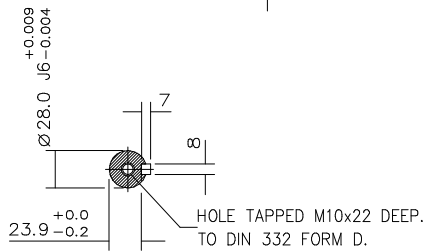
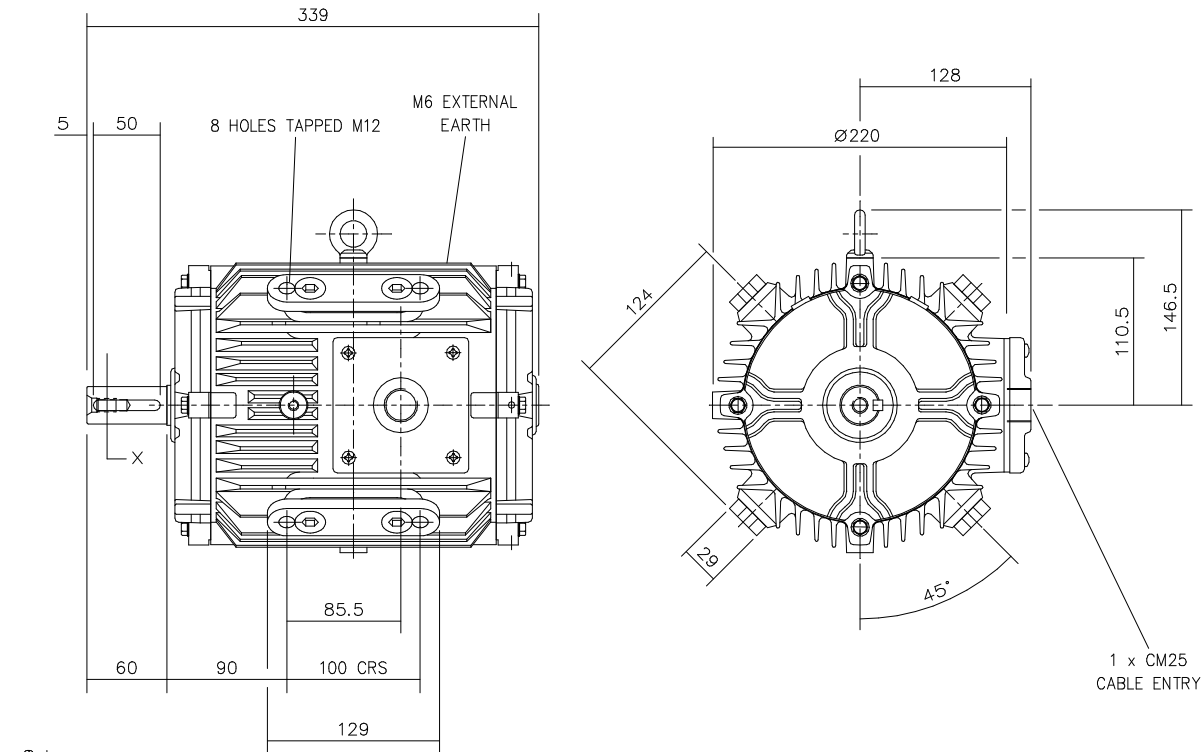


DRG. No. Y12GP002/1
 DRG. REF.



SECTION THROUGH 'X'

TERMINAL PLATE POSITION: - CAN BE ARRANGED AT EITHER 9,12 OR 3 O'CLOCK BY MOVING
 STANDARD TERMINAL PLATE POSITION IS 3 O'CLOCK AS SHOWN.

CUSTOMER			
ORDER No.			
BRTAIN No.			
DIN No.			
FRAME SIZE		RPM.	
KW.		PHASE	
VOLTS		POLES	
SPEED		NDE.	
GROSS NETT WT.		NDE.	
SPECIAL MARKS		Kg.	
SPECIAL REMARKS			

ALL DIMENSIONS IN MILLIMETRES.



FIRST ANGLE
 PROJECTION

**BROOK
 CROMPTON**

Huddersfield, HD1 3LJ
 ENGLAND

SHEET SIZE A3	TITLE
	OUTLINE DIMENSION DRAWING W CAST IRON TOTALLY ENCLOSED NO FAN 112M FRAME 4 PAD MOUNTED MOTOR - NO TERMINAL BOX

	NAME	DATE
DRAWN	RR	14-01-00
CHECKED	VLS	14-01-00
SCALE	1: 3.5	

DRG. No.	Y12GP002/1		
DRG. REF.			
REVISION:	VLS	DATE	19-10-01