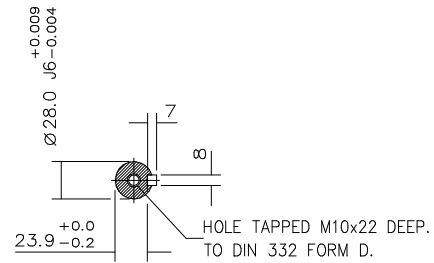
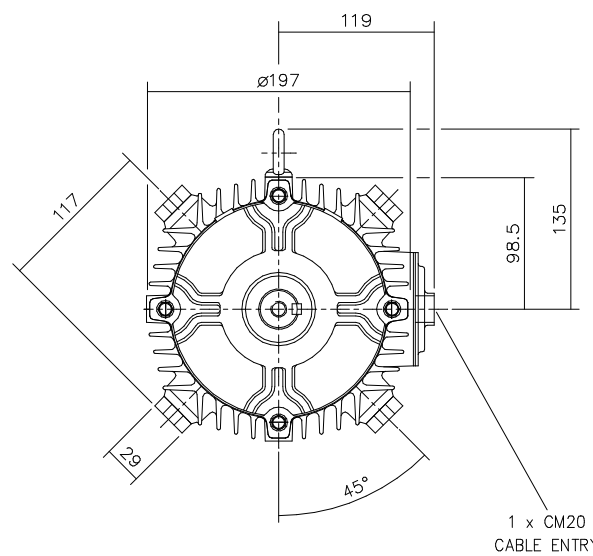
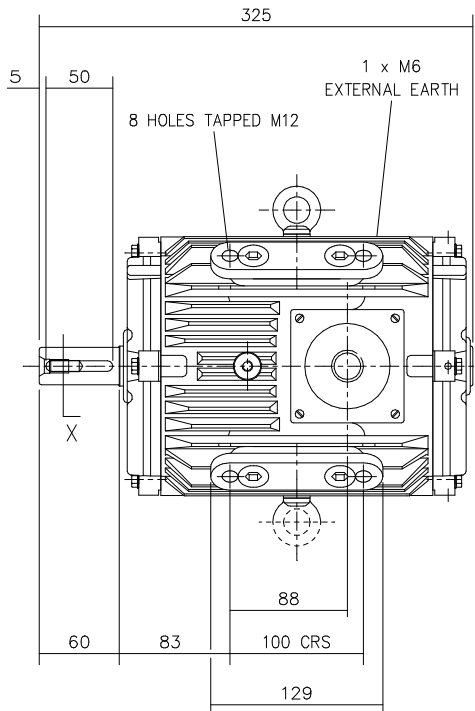


DRG. No. Y10GP002/1
 DRG. REF.

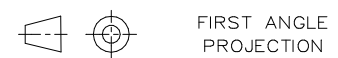
CUSTOMER
 ORDER No.
 PART No.
 OUR ORDER No.
 FRAME SIZE
 KW. RPM.
 Hz PHASE
 VOLTS POLES
 BRGS. DE. NDE.
 MOTOR NETT WT. Kg.
 SPECIAL REMARKS



SECTION ON 'X'

TERMINAL PLATE POSITION: - CAN BE ARRANGED AT EITHER 9,12 OR 3 O'CLOCK.
 STANDARD TERMINAL PLATE POSITION IS 3 O'CLOCK AS SHOWN.

ALL DIMENSIONS IN MILLIMETRES.



BROOK CROMPTON

Huddersfield, HD1 3LJ
 ENGLAND

SHEET TITLE
 SIZE A3
 OUTLINE DIMENSION DRAWING W CAST IRON TOTALLY ENCLOSED NO FAN
 100L FRAME 4 PAD MOUNTED MOTOR - NO TERMINAL BOX

	NAME	DATE
DRAWN	RR	19-01-00
CHECKED	VLS	19-01-00
SCALE	1:3.5	

DRG. No.	Y10GP002/1		
DRG. REF.			
REVISION:	VLS	DATE	09-10-01