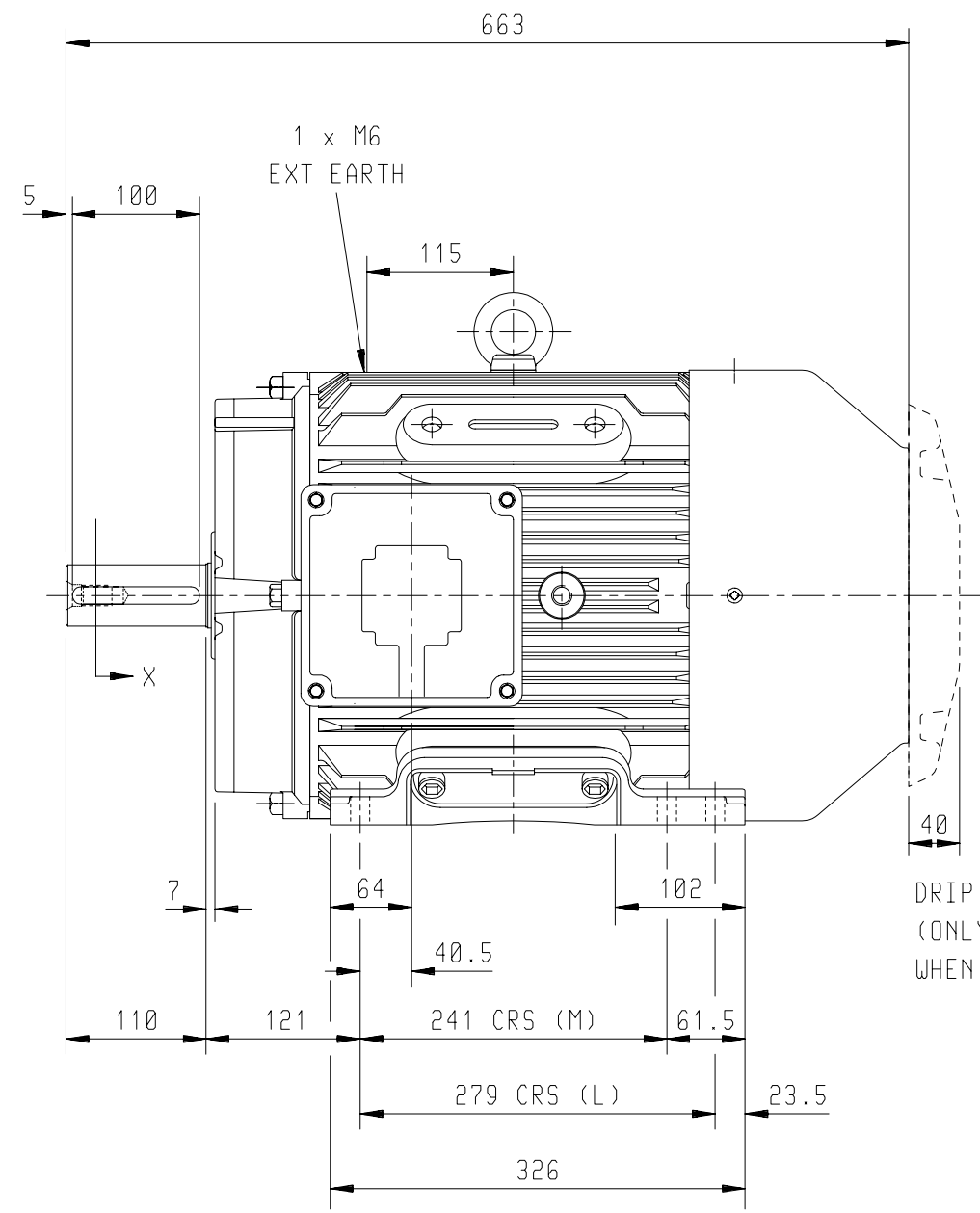
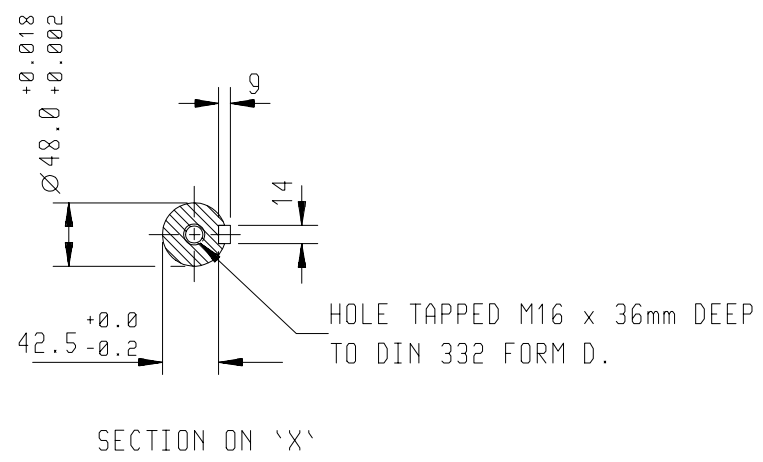
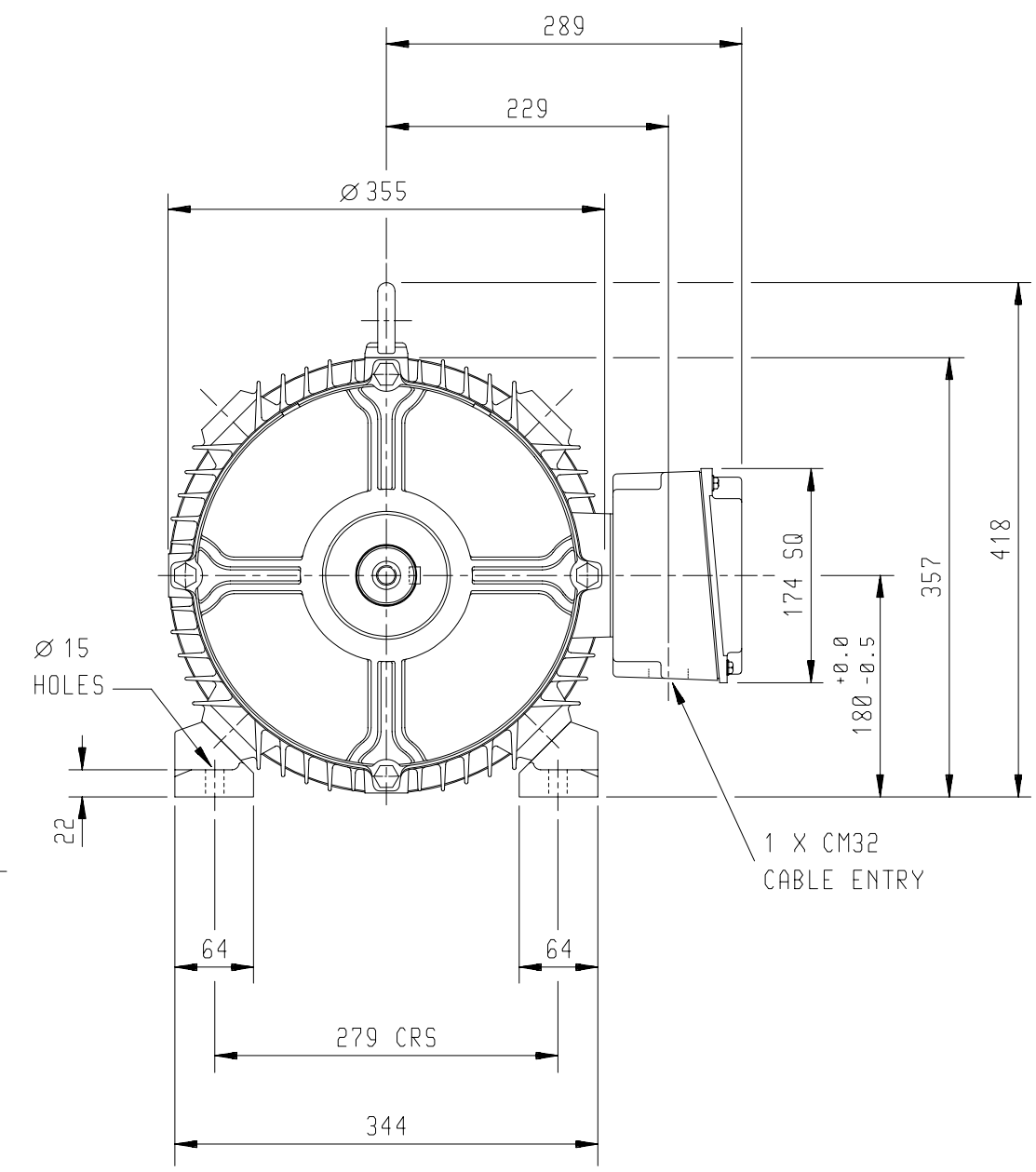


CUSTOMER		
ORDER No.		
PART No.		
OUR ORDER No.		
FRAME SIZE		
KW.	RPM.	
Hz	PHASE	
VOLTS	POLES	
BRGS.	DE.	NDE.
MOTOR NETT WT.		Kg.
SPECIAL REMARKS		



DRIP PROOF COWL
 (ONLY FITTED
 WHEN REQUIRED)



DRAIN HOLES:- WHEN TERMINAL BOX IS MOVED FROM STANDARD POSITION
 THEY WILL NEED TO BE PLUGGED AND RE-LOCATED ELSEWHERE - IF REQUIRED
 TERMINAL BOX POSITION : - CAN BE ARRANGED AT EITHER 9, 12 OR 3 O'CLOCK BY MOVING FEET.
 STANDARD TERMINAL BOX POSITION IS 3 O'CLOCK AS SHOWN.
 CONDUIT ENTRIES:- TERMINAL BOX CAN BE ROTATED AT 90° INTERVALS
 (CONDUIT ENTRY POSITION SHOWN FOR ILLUSTRATION ONLY).

ALL DIMENSIONS IN MILLIMETRES.
 FIRST ANGLE
 PROJECTION

**BROOK
 CROMPTON**
 Huddersfield, HD1 3LJ
 ENGLAND

SHEET SIZE A3	TITLE	OUTLINE DIMENSION DRAWING W CAST IRON TOTALLY ENCLOSED FAN COOLED 180M/L FRAME FOOT MOUNTED MOTOR	NAME	DATE
			RR	30-11-99
			RM	02-12-99
			1 : 6	

DRG. No.	Y30GF002/2		
DRG. REF.			
REVISION:	VLS	DATE	16-07-02