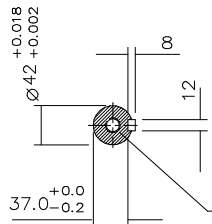
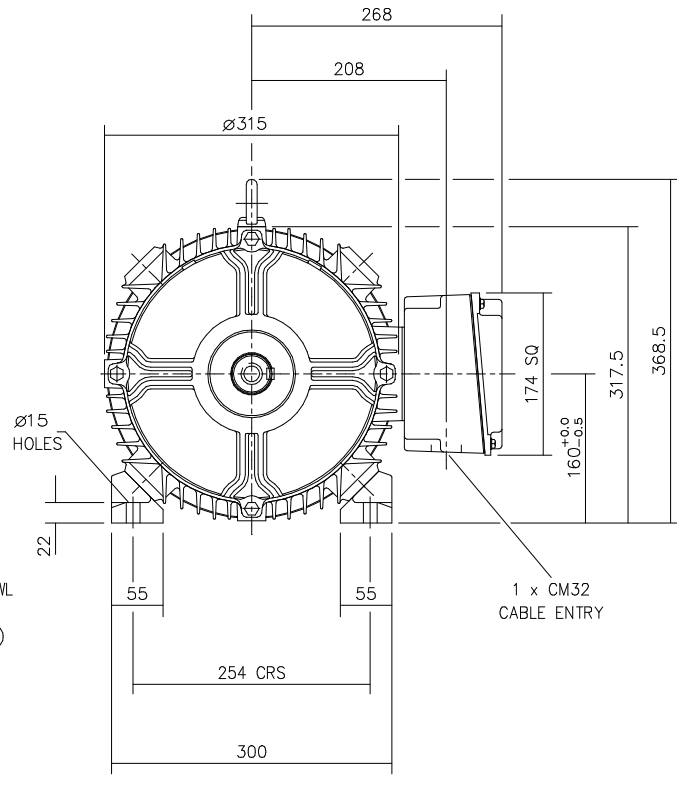
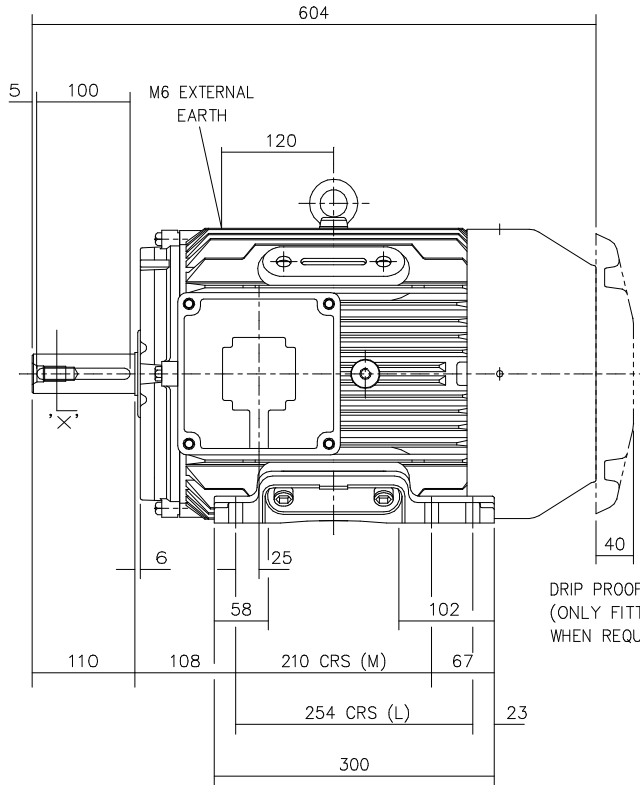


DRG. No. Y29GF001/2
 DRG. REF.



VIEW ON 'X'

DRIP PROOF COWL
 (ONLY FITTED
 WHEN REQUIRED)

DRAIN HOLES: - WHEN TERMINAL BOX IS MOVED FROM STANDARD POSITION
 THEY WILL NEED TO BE PLUGGED AND RE-LOCATED ELSEWHERE - IF REQUIRED
 TERMINAL BOX POSITION : - CAN BE ARRANGED AT EITHER 9, 12 OR 3 O'CLOCK BY MOVING FEET.
 STANDARD TERMINAL BOX POSITION IS 3 O'CLOCK AS SHOWN.
 CONDUIT ENTRIES: - TERMINAL BOX CAN BE ROTATED AT 90° INTERVALS
 (CONDUIT ENTRY POSITION SHOWN FOR ILLUSTRATION ONLY).

CUSTOMER		
ORDER No.		
PART No.		
OUR ORDER No.		
FRAME SIZE		
KW.	RPM.	
Hz	PHASE	
VOLTS	POLES	
BRGS.	DE.	NDE.
MOTOR NETT WT.	Kg.	
SPECIAL REMARKS		

ALL DIMENSIONS IN MILLIMETRES.



BROOK CROMPTON

Huddersfield, HD1 3LJ
 ENGLAND

SHEET SIZE	TITLE
A3	OUTLINE DIMENSION DRAWING W CAST IRON TOTALLY ENCLOSED FAN COOLED 160M/L FRAME FOOT MOUNTED MOTOR

	NAME	DATE
DRAWN	RR	16-12-99
CHECKED	VLS	16-12-99
SCALE	1 : 5	

DRG. No.	Y29GF001/2	
DRG. REF.		
REVISION:	VLS	DATE 17-07-02