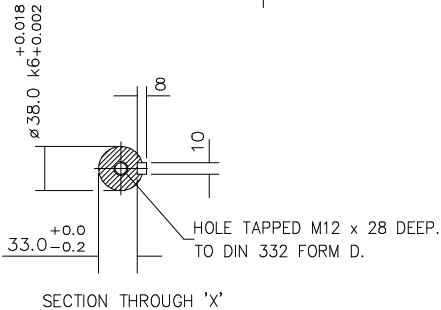
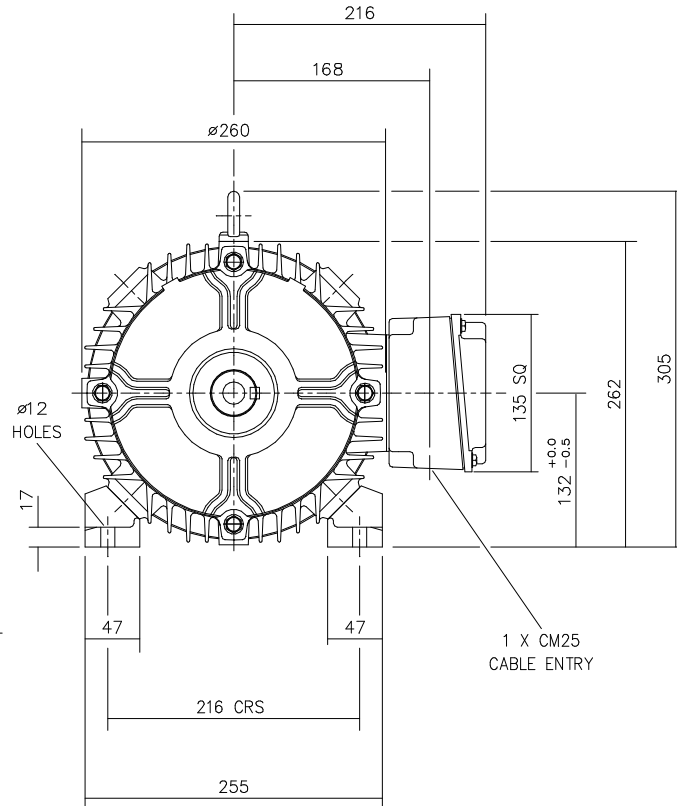
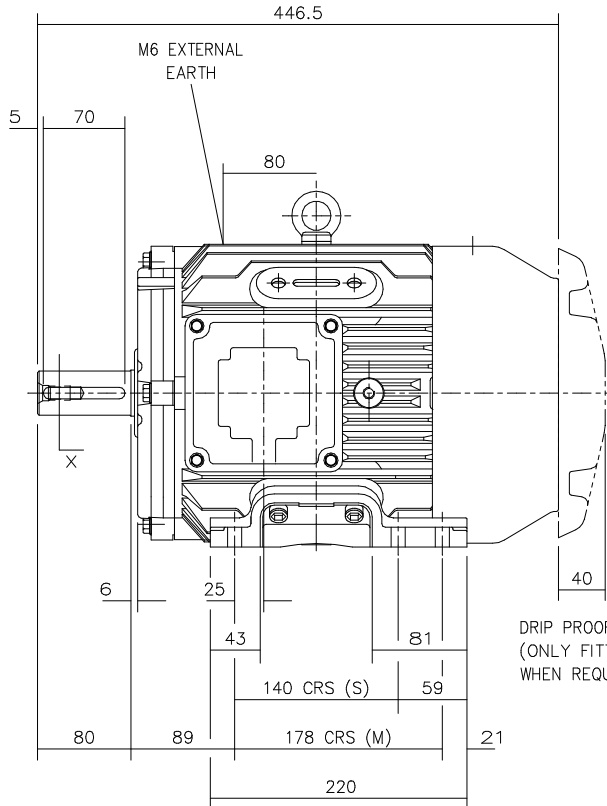


DRG. No. Y28GF001/2
 DRG. REF.

CUSTOMER
 ORDER No.
 PART No.
 OUR ORDER No.
 FRAME SIZE
 KW. RPM.
 Hz PHASE
 VOLTS POLES
 BRGS. DE. NDE.
 MOTOR NETT WT. Kg.
 SPECIAL REMARKS



TERMINAL BOX POSITION : - CAN BE ARRANGED AT EITHER 9, 12 OR 3 O'CLOCK BY MOV
 STANDARD TERMINAL BOX POSITION IS 3 O'CLOCK AS SHOWN.
 CONDUIT ENTRIES: - TERMINAL BOX CAN BE ROTATED AT 90° INTERVALS
 (CONDUIT ENTRY POSITION SHOWN FOR ILLUSTRATION ONLY).

ALL DIMENSIONS IN MILLIMETRES.



**BROOK
 CROMPTON**

Huddersfield, HD1 3LJ
 ENGLAND

SHEET TITLE
 SIZE A3 OUTLINE DIMENSION DRAWING W CAST IRON TOTALLY ENCLOSED FAN COOLED
 132S/M FRAME FOOT MOUNTED MOTOR

	NAME	DATE
DRAWN	RR	21-12-99
CHECKED	VLS	06-01-00
SCALE	1 : 4	

DRG. No.	Y28GF001/2		
DRG. REF.			
REVISION:	VLS	DATE	19-07-02