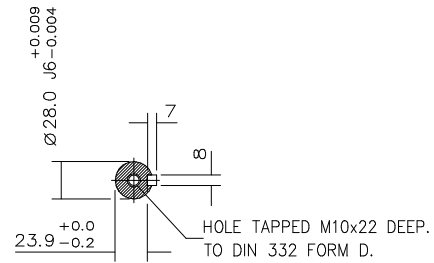
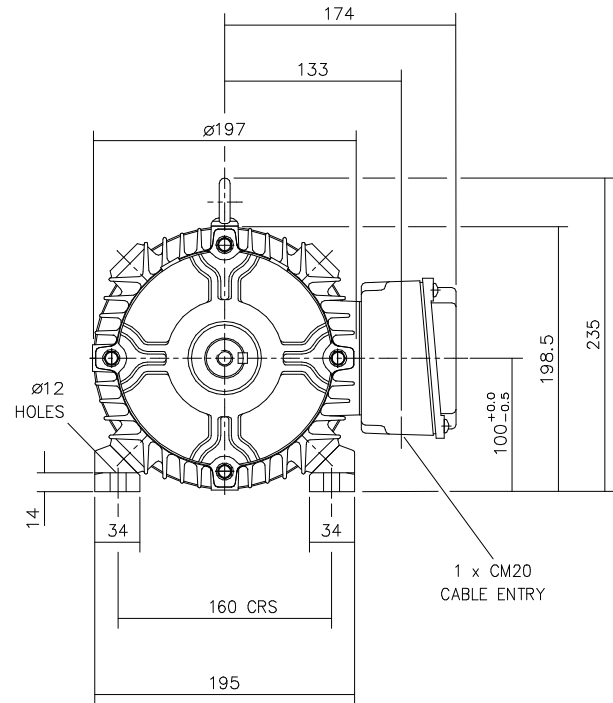
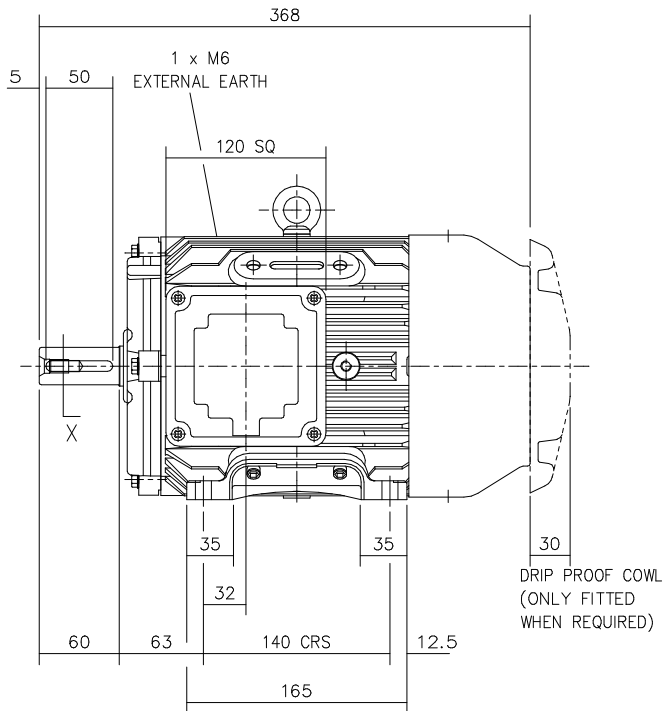


DRG. No. Y10GF001/3  
 DRG. REF.

CUSTOMER  
 ORDER No.  
 PART No.  
 OUR ORDER No.  
 FRAME SIZE  
 KW. RPM.  
 Hz PHASE  
 VOLTS POLES  
 BRGS. DE. NDE.  
 MOTOR NETT WT. Kg.  
 SPECIAL REMARKS



SECTION ON 'X'

DRIP PROOF COWL  
 (ONLY FITTED  
 WHEN REQUIRED)

TERMINAL BOX POSITION:- CAN BE ARRANGED AT EITHER 9,12 OR 3 O'CLOCK.  
 STANDARD TERMINAL BOX POSITION IS 3 O'CLOCK AS SHOWN.  
 CONDUIT ENTRIES:- TERMINAL BOX CAN BE ROTATED AT 90° INTERVALS  
 (CONDUIT ENTRY POSITION SHOWN FOR ILLUSTRATION ONLY).

ALL DIMENSIONS IN MILLIMETRES.



**BROOK CROMPTON**

Huddersfield, HD1 3LJ  
 ENGLAND

SHEET TITLE  
 SIZE A3 OUTLINE DIMENSION DRAWING W CAST IRON TOTALLY ENCLOSED FAN COOLED  
 100L FRAME FOOT MOUNTED MOTOR

	NAME	DATE
DRAWN	RR	18-01-00
CHECKED	VLS	18-01-00
SCALE	1: 3.5	

DRG. No.	Y10GF001/3		
DRG. REF.			
REVISION:	RR	DATE	23/04/02