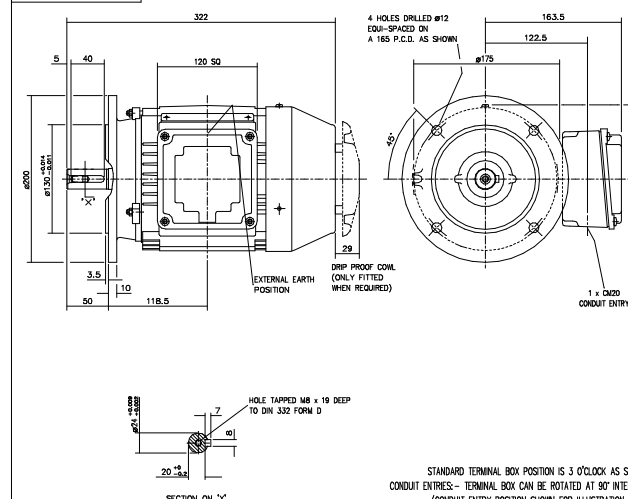


DRG. No. F90GD003/1
 DRG. REF.



CUSTOMER		
ORDER No.		
PART No.		
OUR ORDER No.		
FRAME SIZE		
K.W.	RPM	
Hz	PHASE	
VOLTS	POLES	
BRGS.	DE.	NDE.
MOTOR NETT WT.		Kg.
SPECIAL REMARKS		

ALL DIMENSIONS IN MILLIMETRES.
 FIRST ANGLE PROJECTION
BROOK CROMPTON
 Huddersfield, HD1 3LJ
 ENGLAND

SHEET TITLE A3	OUTLINE DIMENSION DRAWING NEW DESIGN CAST-IRON TOTALLY ENCLOSED FAN COOLED 90S/L FRAME 'D'-FLANGE MOUNTED MOTOR			DRG. No.	F90GD003/1
	NAME	DATE	DRAWN	VLS	08-10-01
	CHECKED	RR	08-10-01	DRG. REF.	
	SCALE	1:2.5	REVISION:	RR	DATE 22/04/02

STANDARD TERMINAL BOX POSITION IS 3 O'CLOCK AS SHOWN.
 CONDUIT ENTRIES - TERMINAL BOX CAN BE ROTATED AT 90° INTERVALS
 (CONDUIT ENTRY POSITION SHOWN FOR ILLUSTRATION ONLY)