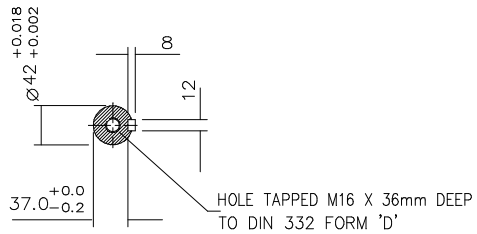
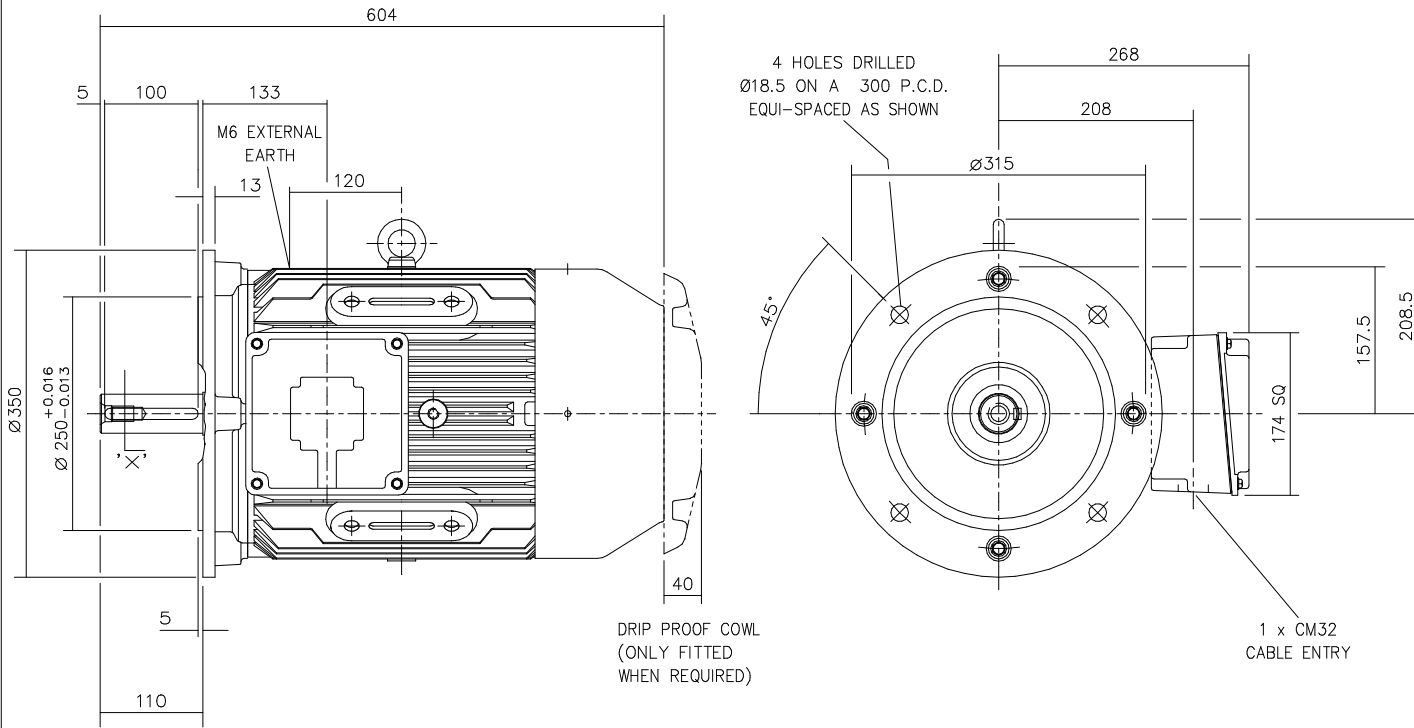


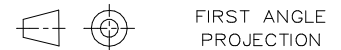
DRG. No. Y29GD002/3
 DRG. REF.



VIEW ON 'X'

CUSTOMER		
ORDER No.		
PART No.		
OUR ORDER No.		
FRAME SIZE		
KW.	RPM.	
Hz	PHASE	
VOLTS	POLES	
BRGS.	DE.	NDE.
MOTOR NETT WT.		Kg.
SPECIAL REMARKS		

ALL DIMENSIONS IN MILLIMETRES.



**BROOK
 CROMPTON**

Huddersfield, HD1 3LJ
 ENGLAND

DRAIN HOLES:- WHEN TERMINAL BOX IS MOVED FROM STANDARD POSITION
 THEY WILL NEED TO BE PLUGGED AND RE-LOCATED ELSEWHERE - IF REQUIRED
 TERMINAL BOX POSITION : - CAN BE ARRANGED AT EITHER 9, 12 OR 3 O'CLOCK.
 STANDARD TERMINAL BOX POSITION IS 3 O'CLOCK AS SHOWN.
 CONDUIT ENTRIES:- TERMINAL BOX CAN BE ROTATED AT 90° INTERVALS
 (CONDUIT ENTRY POSITION SHOWN FOR ILLUSTRATION ONLY).

SHEET SIZE	TITLE
A3	OUTLINE DIMENSION DRAWING W CAST IRON TOTALLY ENCLOSED FAN COOLED 160M/L FRAME FLANGE MOUNTED MOTOR

	NAME	DATE
DRAWN	RR	17-12-99
CHECKED	VLS	17-12-99
SCALE	1 : 5	

DRG. No.	Y29GD002/3
DRG. REF.	
REVISION:	VLS
DATE	17-07-02