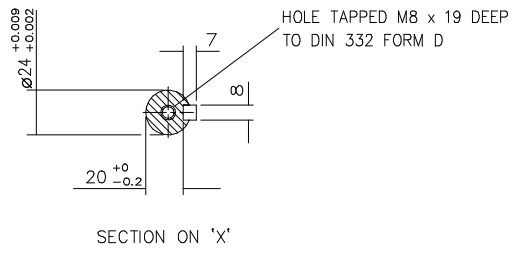
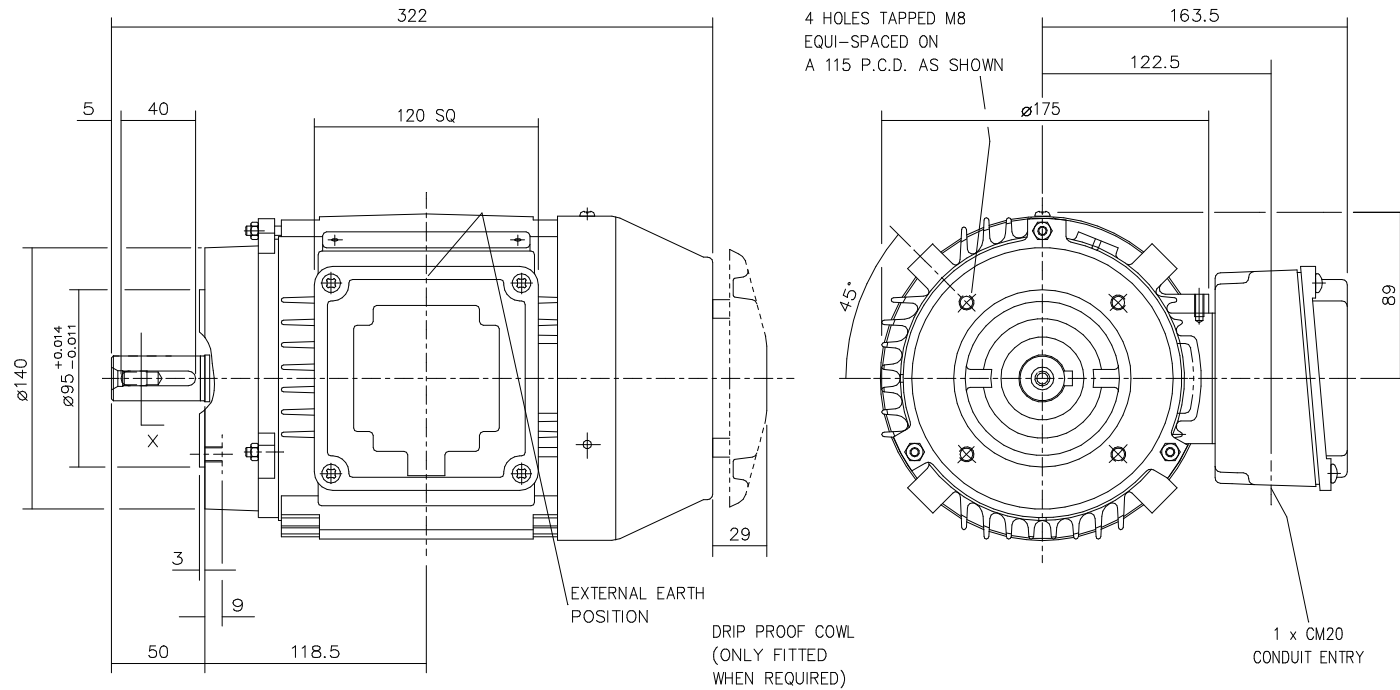


DRG. No. F90GC002/1
 DRG. REF.

CUSTOMER		
ORDER No.		
PART No.		
OUR ORDER No.		
FRAME SIZE		
KW.	RPM.	
Hz	PHASE	
VOLTS	POLES	
BRGS.	DE.	NDE.
MOTOR NETT WT.	Kg.	
SPECIAL REMARKS		



ALL DIMENSIONS IN MILLIMETRES.		
		FIRST ANGLE PROJECTION
BROOK CROMPTON		
Huddersfield, HD1 3LJ ENGLAND		

STANDARD TERMINAL BOX POSITION IS 3 O'CLOCK AS SHOWN.
 CONDUIT ENTRIES:- TERMINAL BOX CAN BE ROTATED AT 90° INTERVALS
 (CONDUIT ENTRY POSITION SHOWN FOR ILLUSTRATION ONLY)

SHEET SIZE: A3
 TITLE: OUTLINE DIMENSION DRAWING NEW DESIGN CAST-IRON TOTALLY ENCLOSED FAN COOLED 90S/L FRAME 'C'-FACE MOUNTED MOTOR

NAME	DATE
VLS	08-10-01
RR	08-10-01
SCALE	1: 2.5

DRG. No.	F90GC002/1		
DRG. REF.			
REVISION:	RR	DATE	22/04/02