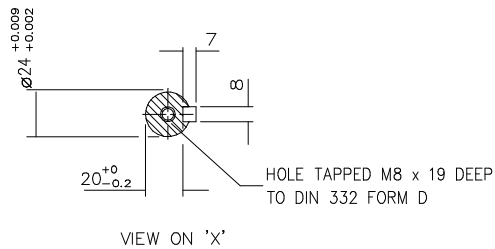
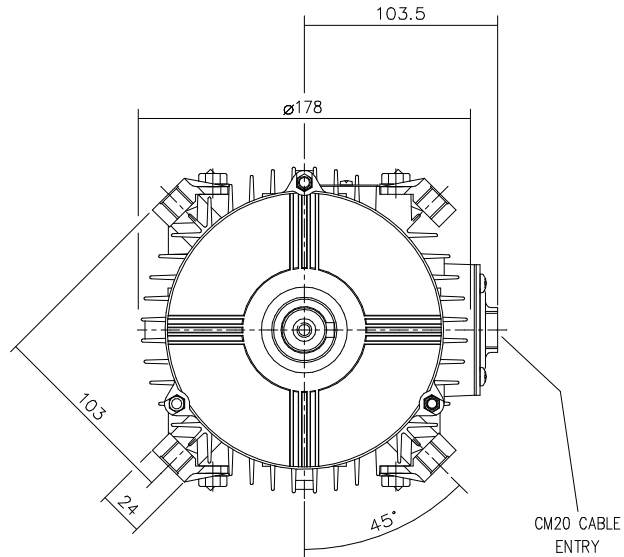
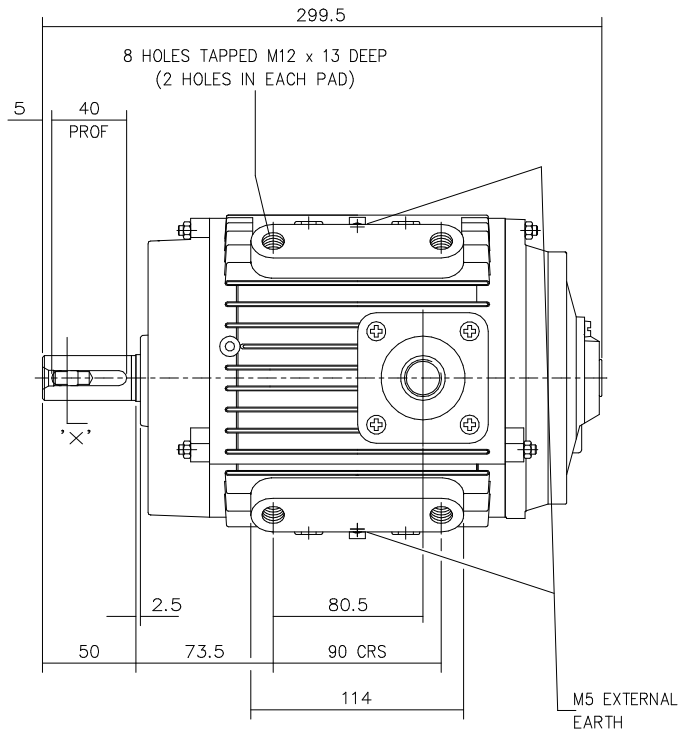


DRG. No. W90GP007/0

DRG. REF.



TERMINAL PLATE POSITION: - CAN BE ARRANGED AT EITHER 9,12 OR 3 O'CLOCK.
STANDARD TERMINAL PLATE POSITION IS 3 O'CLOCK AS SHOWN.

CUSTOMER		
ORDER No.		
PART No.		
OUR ORDER No.		
FRAME SIZE		
KW.	RPM.	
Hz	PHASE	
VOLTS	POLES	
BRGS.	DE.	NDE.
MOTOR NETT WT.	Kg.	
SPECIAL REMARKS		

ALL DIMENSIONS IN MILLIMETRES.



BROOK CROMPTON

Huddersfield, HD1 3LJ
ENGLAND

SHEET SIZE	TITLE
A3	OUTLINE DIMENSION DRAWING W ALUMINIUM TOTALLY ENCLOSED NO FAN 90S/L FRAME PAD MOUNTED MOTOR - NO TERMINAL BOX

	NAME	DATE
DRAWN	DH	10-09-02
CHECKED	RR	10-09-02
SCALE	1: 2.5	

DRG. No.	W90GP007/0		
DRG. REF.			
REVISION:		DATE	